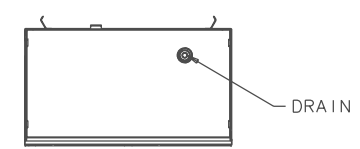
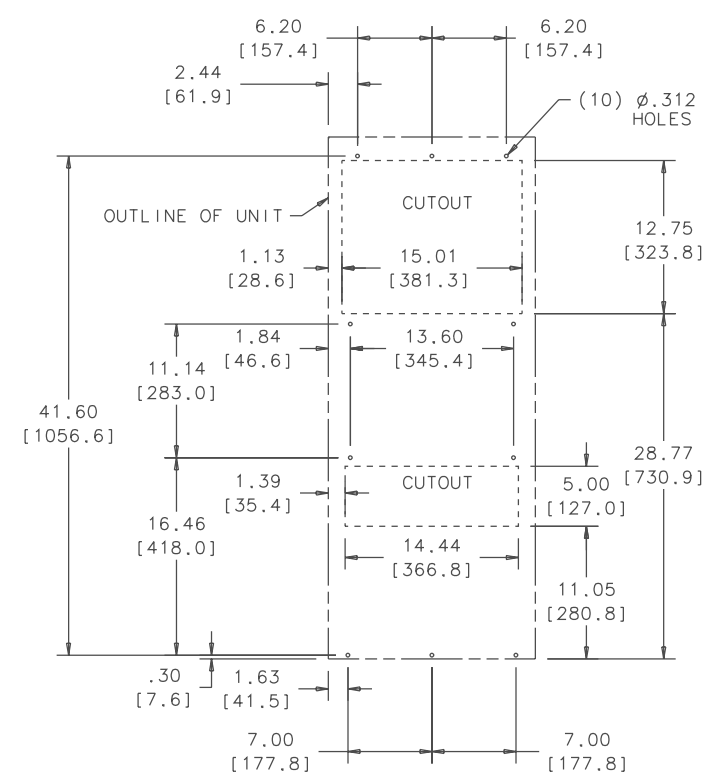
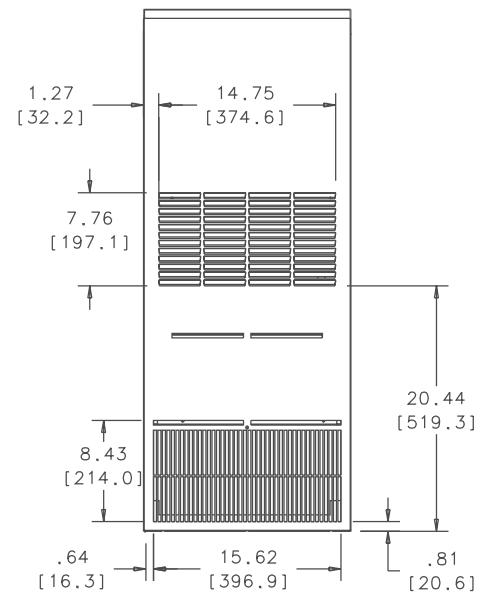
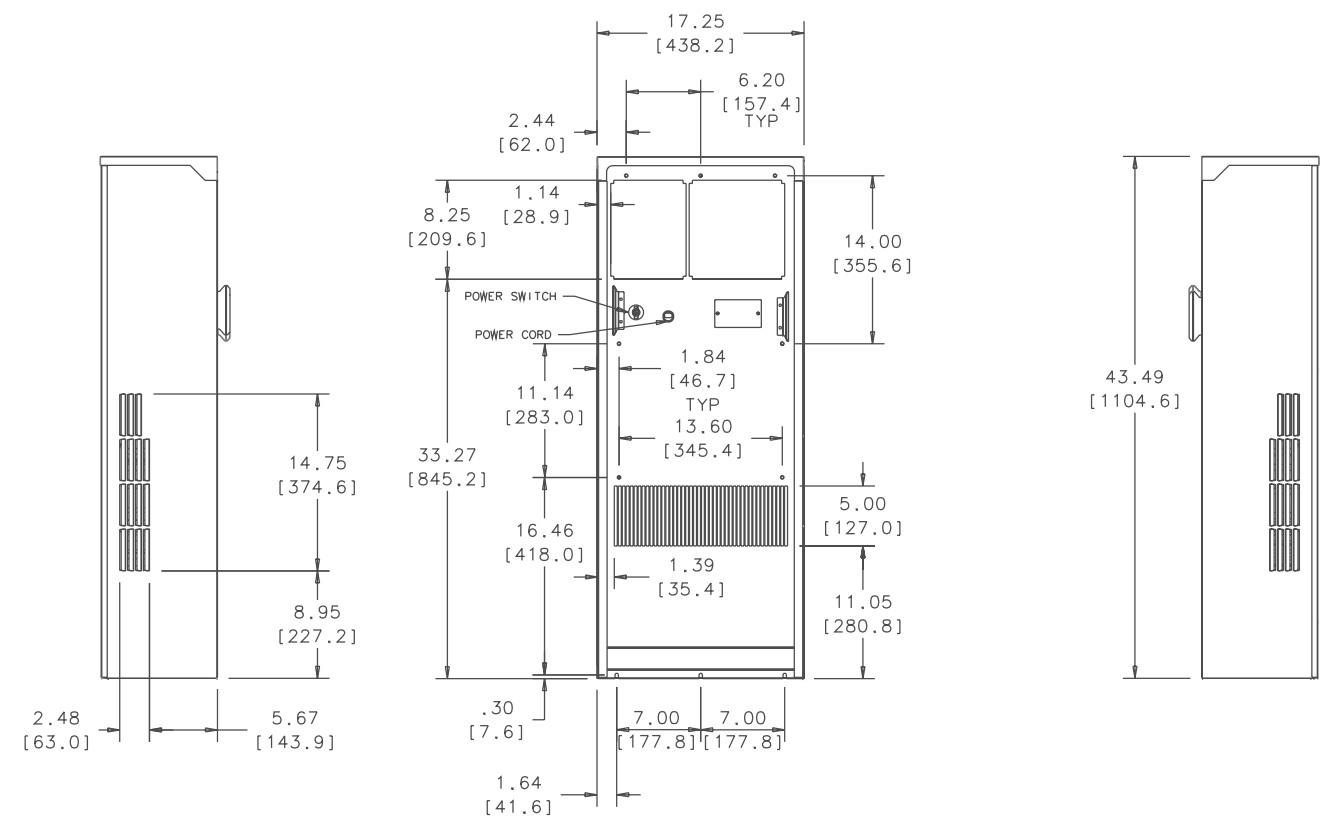
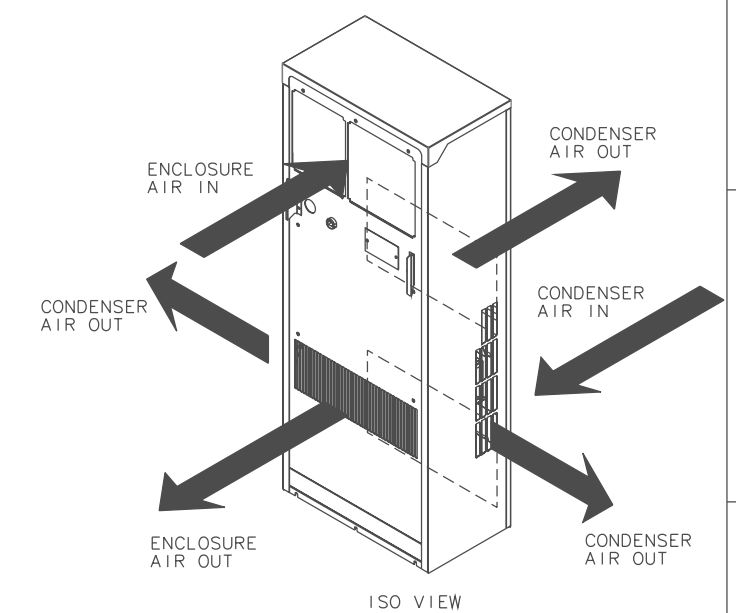
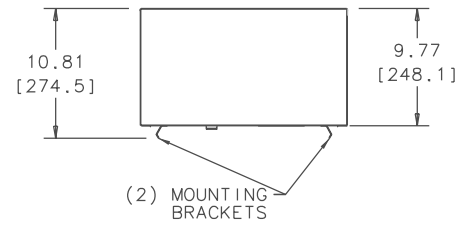


THIS DOCUMENT IS THE PROPERTY OF KOOLTRONIC, INC. AND CONTAINS PROPRIETARY AND CONFIDENTIAL INFORMATION WHICH MUST NOT BE DUPLICATED, USED OR DISCLOSED TO OTHERS, EXCEPT AS EXPRESSLY AUTHORIZED IN WRITING BY KOOLTRONIC, INC.

REVISIONS				
SYM	NOTICE	DESCRIPTION	DATE	APPROVED
-	ER 07/051	NEW DRAWING RELEASE	7/20/07	JS



ALL DIMENSIONS ARE IN INCHES. DIMENSIONS DESIGNATED MM ARE IN MILLIMETERS. UNLESS OTHERWISE SPECIFIED TOLERANCES NON-ACCUMULATIVE			DRAWN JERRY STEDNICK DATE 7/20/07		 PENNINGTON, NJ USA
TOL.	ON	INCHES	MM	CHECKED SDS 7/27/07	
.xx	±	.02	±	ENG. BORIS MUZIKANT 7/24/07	TITLE GENERAL ARRANGEMENT
.xxx	±	.010	±	MFG. ENG.	
ANGULAR			± 1/2 °		
MATERIAL					CODE IDENT. NO. SIZE DWG. NO. REV
UNIT K_NA_C7DP43L & LV			APPROVED B KREELEY 8/24/07		06223 D GA26700A - SCALE 1/25=1 CAD. REF. SHEET 1 OF 1