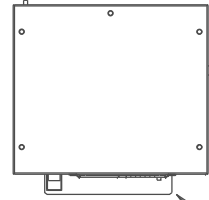


THIS DOCUMENT IS THE PROPERTY OF KOOLTRONIC, INC. AND CONTAINS PROPRIETARY AND CONFIDENTIAL INFORMATION WHICH MUST NOT BE DUPLICATED, USED OR DISCLOSED TO OTHERS, EXCEPT AS EXPRESSLY AUTHORIZED IN WRITING BY KOOLTRONIC, INC.

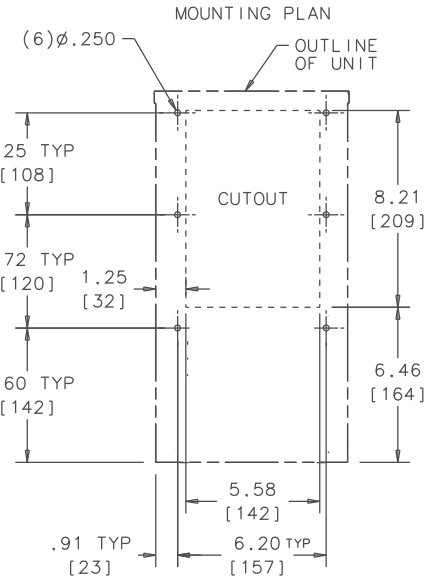
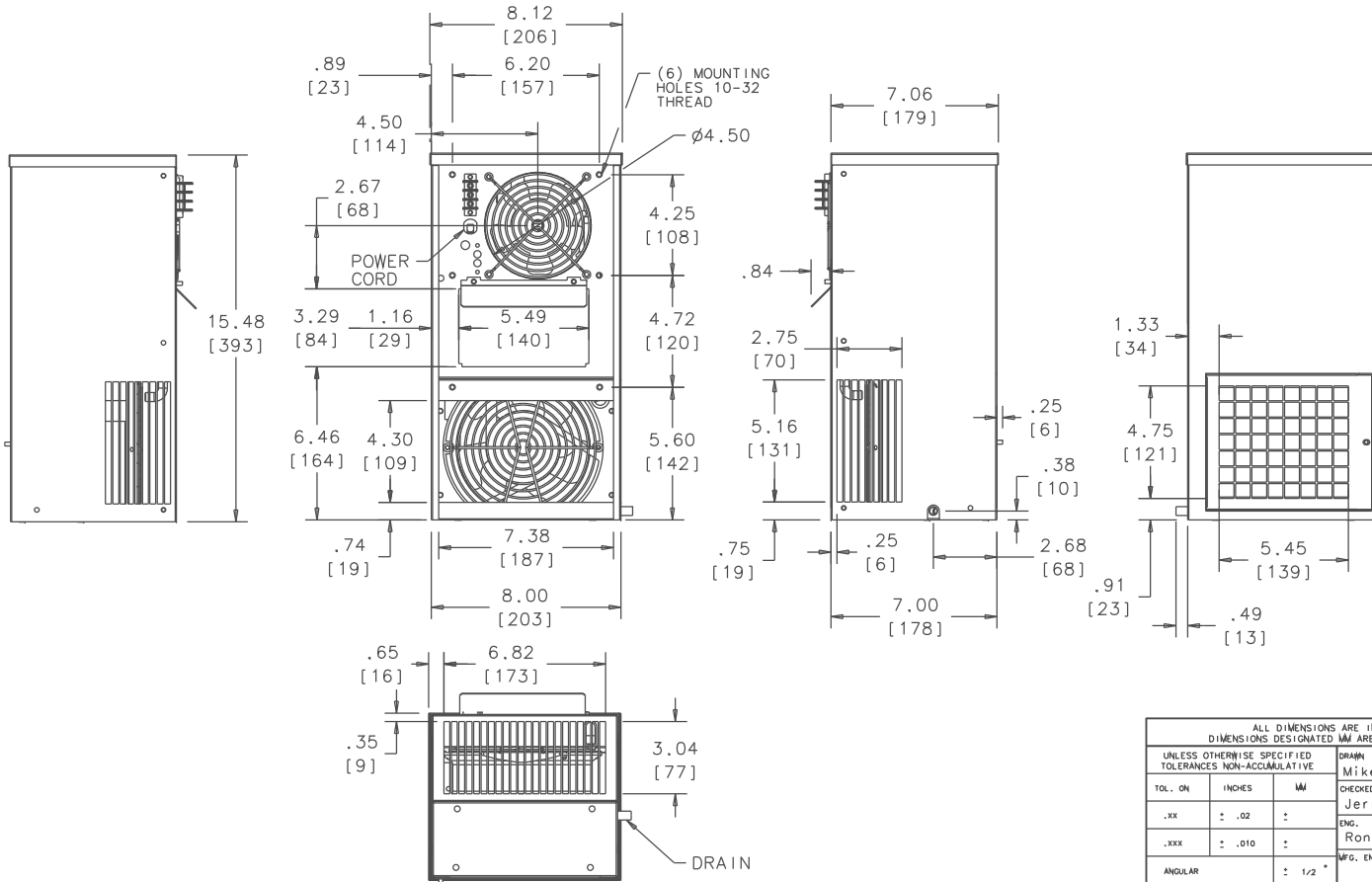
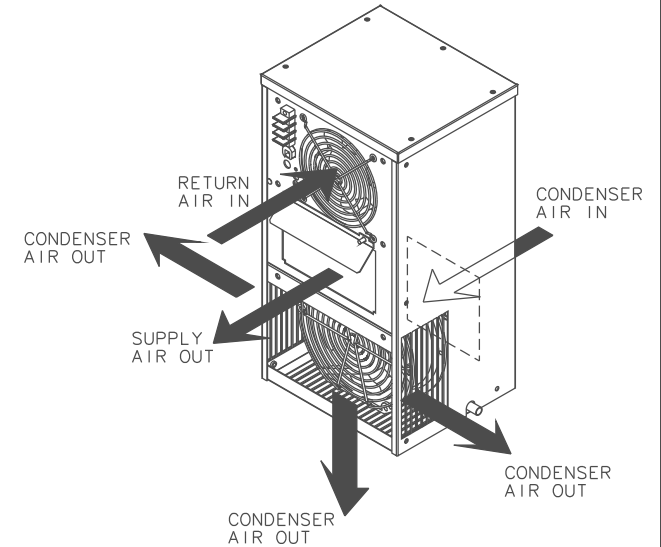
REVISIONS				
SYM	NOTICE	DESCRIPTION	DATE	APPROVED
-	EC 13/346	NEW DRAWING RELEASE	12/18/13	MEM/JS

A  
B  
C  
D  
E  
F

A  
B  
C  
D  
E  
F



AIR FLOW DEFLECTOR (NOT REQUIRED)  
OPTIONAL FOR CUSTOMER.  
INSTALL ONTO THE TWO PROVIDED STUDS.  
FASTEN WITH #8 KEP NUTS



ALL DIMENSIONS ARE IN INCHES. DIMENSIONS DESIGNATED MM ARE IN MILLIMETERS.				 PENNINGTON, NJ USA		
UNLESS OTHERWISE SPECIFIED TOLERANCES NON-ACCUMULATIVE		DRAWN	DATE	<b>GENERAL ARRANGEMENT</b>		
TOL. ON	INCHES	MM	Mike Mc Crahan			12/12/13
.XX	± .02	±	Jerry Stednick			1/15/14
.XXX	± .010	±	Ron Kaufman			1/20/14
ANGULAR	± 1/2°		MFG. ENG.			
MATERIAL				CODE IDENT. NO.	SIZE	
UNIT			KNA4C1DP15L	06223	C	
APPROVED			Joe Milko	DATE	1/30/14	
SCALE			.25=1	DWG. NO.	GA27101A	
SHEET			1 OF 1	CAD. REF.		

1 2 3 4 5 6 7 8