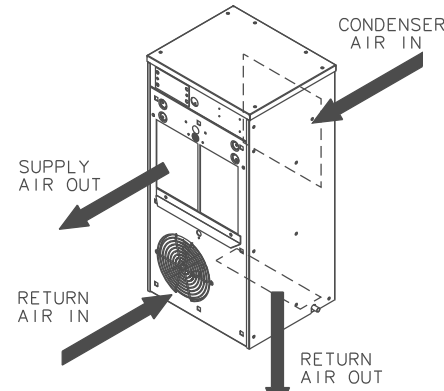
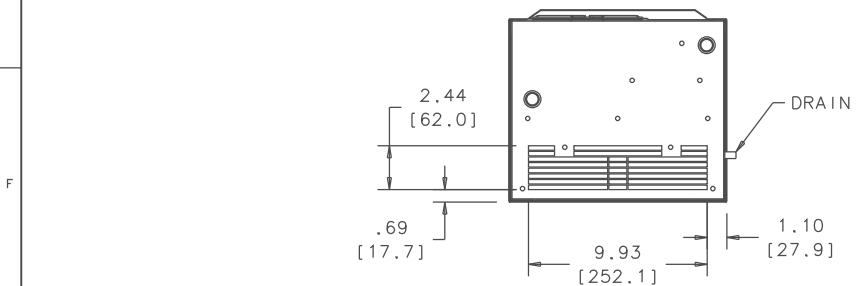
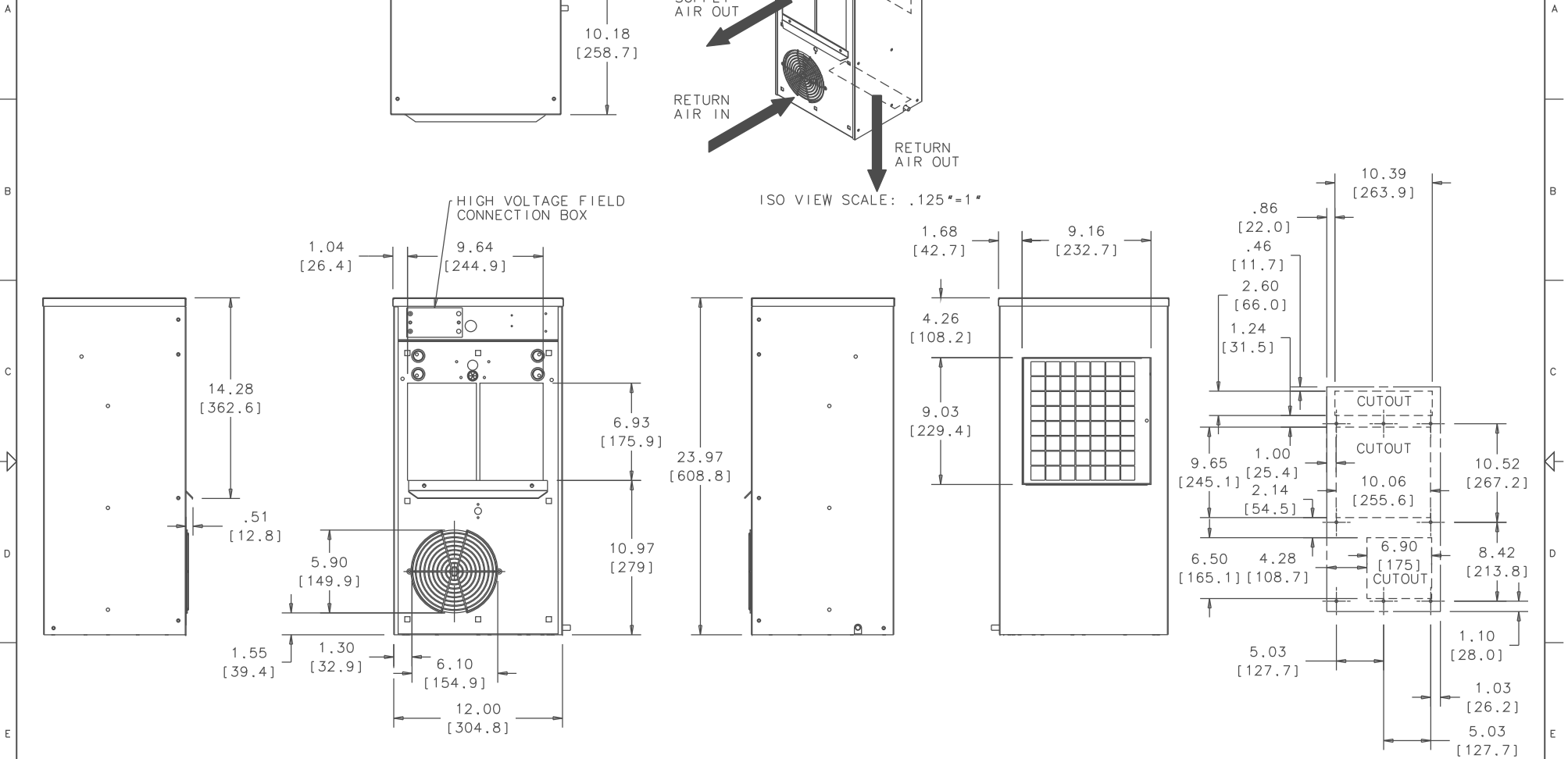


THIS DOCUMENT IS THE PROPERTY OF KOOLTRONIC, INC. AND CONTAINS PROPRIETARY AND CONFIDENTIAL INFORMATION WHICH MUST NOT BE DUPLICATED, USED OR DISCLOSED TO OTHERS, EXCEPT AS EXPRESSLY AUTHORIZED IN WRITING BY KOOLTRONIC, INC.

REVISIONS				
SYM	NOTICE	DESCRIPTION	DATE	APPROVED
-	ER 12/020	NEW DRAWING RELEASE.	5/24/12	DW-
A	EC 12/195	ADD NOTE "HIGH VOLTAGE FIELD CONNECTION BOX"	6/27/12	SDS/



ISO VIEW SCALE: .125"=1"



ALL DIMENSIONS ARE IN INCHES. DIMENSIONS DESIGNATED MM ARE IN MILLIMETERS.				DRAWN D. WALDRON DATE 5/24/12			
UNLESS OTHERWISE SPECIFIED TOLERANCES NON-ACCUMULATIVE				CHECKED Mike Mc Crohan 6/4/12			
TOL. ON	INCHES	MM		ENG. B. MUZIKANT 5/24/12		CODE IDENT. NO. 06223	
.XX	± .02	±		MFG. ENG.		SIZE C	QTY. NO. GA55002A
.XXX	± .010	±		ANGULAR ± 1/2°		REV A	
MATERIAL SEE BOM				APPROVED Joe M/Bruce K 6/20/12		SCALE 1:875=1	CAD. REF.
UNIT K3NA4C3DP24L						SHEET 1 OF 1	