

ADVANTAGE SENTRY SERIES NEMA 3R FILTER FANS KNP100F

TECHNICAL DATA



Model	Normally In Stock	Voltage	Frequency Hz	Input mA	Input Watts	Fan Airflow CFM*	Fan w/Grille Airflow CFM**	Noise db(A)	Operating Temp. °F		Approx. Weight	
									Min.	Max	Lbs.	Kg.
KNP100F	Yes	115 VAC	50/60	.35/.38	36/38	338/405	141/172	55/58	-40	158	12.5	5.6
K2NP100F	Yes	230 VAC	50/60	.50/.45	64/62	338/405	151/188	55/58	-40	158	12.5	5.6

*Fan airflow without filter and grille.

**NEMA Rated if installed with provided filter.

STANDARD FEATURES

- Baked Powder Finish
- Integrated Fan Guards
- Integrated Sealing Gasket
- NEMA 3R Rating Maintained (if used with provided filter)
- Secure Mounting
- Six foot [1.8m] (minimum) 3-wire power cord
- UL/CSA Shielded Ball Bearing Motors
- UL/CUL Listed
- Washable, Reuseable Filter

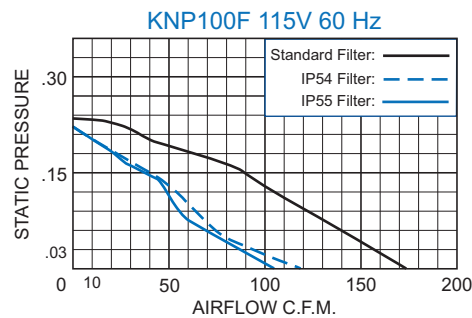
ACCESSORIES AND OPTIONS

- Grille Assembly (P/N: KNPA100F)
- IP54 & IP55 Filter Protection available
- Other voltages, both AC and DC
- Replacement Filters (P/N: 1081F)
- Reversed Airflow Direction



**NEMA
TYPE 3R
MAINTAINED**

PERFORMANCE CHART

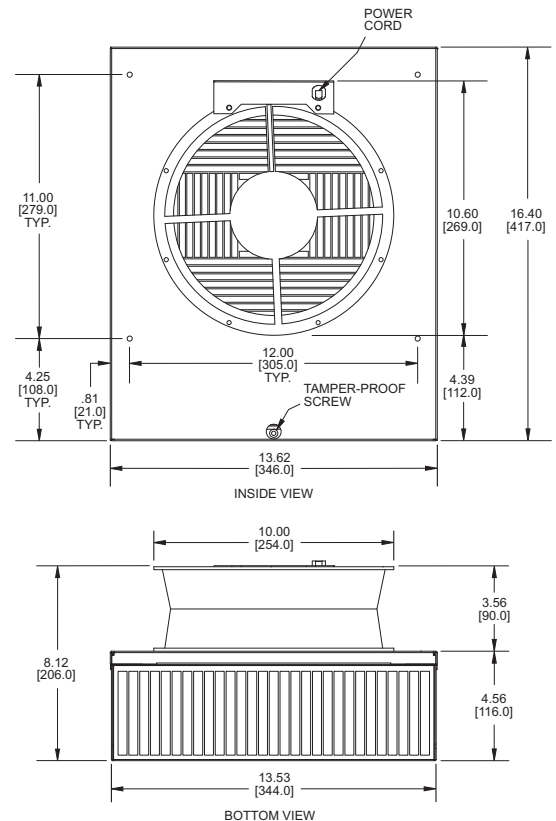
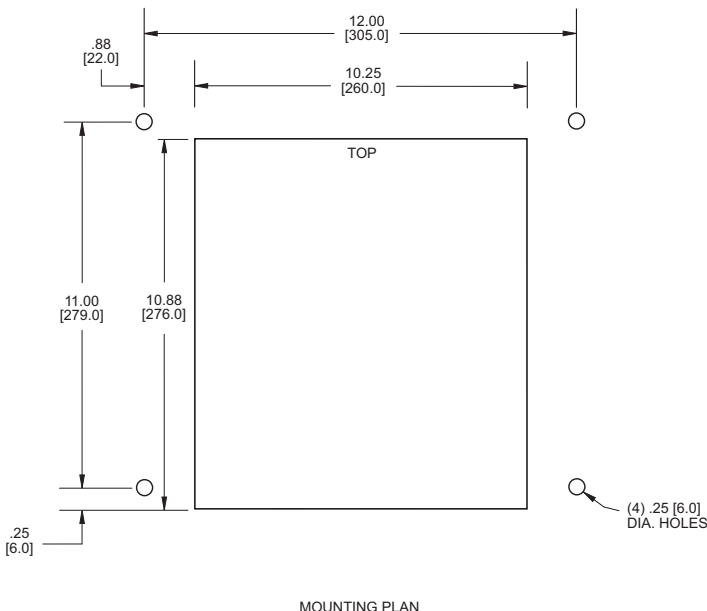


Find additional information on this model at kooltronic.com, or use the Technical Documents QR code below.

Technical Documents



DRAWINGS



Dimensions, inches [mm], are for reference only and are subject to change.

knP100f.qxd 12/8/15



ADVANTAGE SENTRY SERIES NEMA 3R FILTER FANS KNP100F

DESCRIPTION

Kooltronic has expanded its line of filter fans to include models offering the versatility and security of indoor or outdoor use. These new additions to the **Advantage Sentry Series Filter Fans** have a NEMA 3R Rating and are a perfect choice for dissipating high heat loads economically. These models are available in a variety of sizes, voltages and protection levels.

The new **Advantage Sentry Series Indoor/Outdoor Filter Fans** offer the same convenience, versatility and reliability as the **Advantage Series Filter Fans** with the added protection of a NEMA 3R rating, making these models an excellent choice for telecommunications and other outdoor applications.

COMPONENT CHARACTERISTICS

- Standard airflow direction is from the outside to the inside of the cabinet.
- Filters are stable up to 100°C and 100% rh. (Filters are necessary in order to maintain NEMA 3R Rating).
- Filters guarantee a continuously high level of protection according to EU4, with a 94% separation efficiency according to DIN 24185 Standard.
- With filters, dust capacity is particularly high (620 g/m²), which reduces maintenance.
- The standard filters consist of a multi-layer grid of corrugated aluminum, securely held in a one-piece aluminum frame. A non-drying adhesive coating traps a high percentage of particulate matter. These filters are reuseable, they may be washed and recoated with the appropriate filter recoating adhesive. Replacements are available for those which become damaged or otherwise non-serviceable.

ACCESSORIES AND OPTIONS

- Other supply voltages, both AC and DC, are available on request.
- Filter fans can be supplied with reversed airflow direction (from inside the cabinet to outside). To order, add "R" after series number. Example: KNP100RF.
- Depending on the request and quantity, parts can be supplied in different colors.
- Replacement filters (P/N: 1081F).

HOW TO ORDER

Specify model number. Filter fans can be supplied with reverse airflow direction. To order, add "R" after series number. Example: KNP100RF.