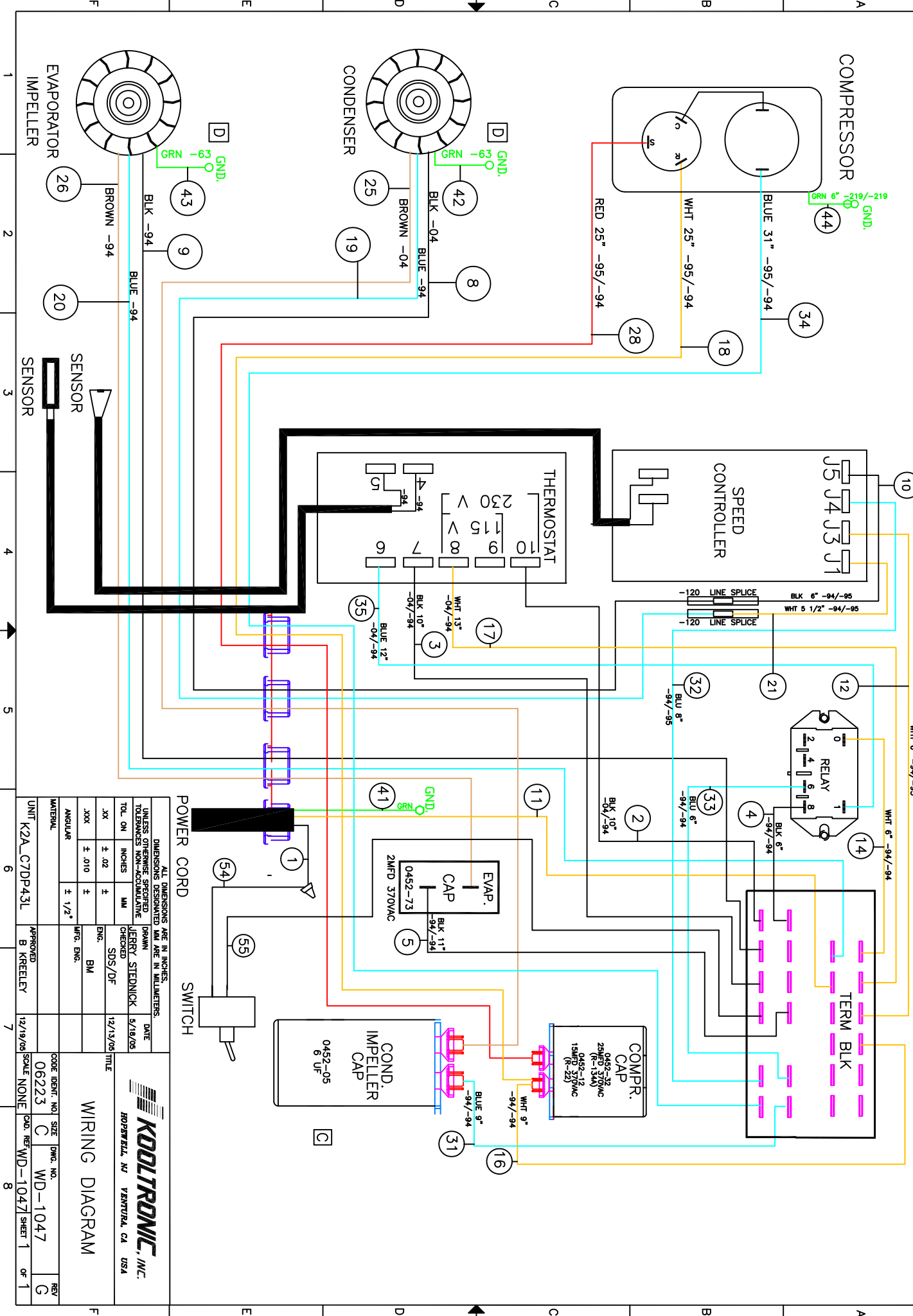


THIS DOCUMENT IS THE PROPERTY OF KOOLTRONIC, INC. AND CONTAINS PROPRIETARY AND CONFIDENTIAL INFORMATION WHICH MUST NOT BE DUPLICATED, USED OR DISCLOSED OTHER THAN AS EXPRESSLY AUTHORIZED BY KOOLTRONIC, INC.

REV	DATE	DESCRIPTION	APPROVED
B	EC 06/2011	ADDED CAPACITORS 0452-05 6UF	RDM
C	EC 06/29/11	EVAP/COND IMPPELLER TERMINATION 0452-210 WMS 0459-43	RDM/JS
D	EC 12/07/12	RENDED IMPPELLER TERMINATION ASST P/W/S	SDS/
E	EC 13/10/10	ADDED ORDER DRG. WIRE TO COMPRESSOR	BM/
F	EC 13/10/10	REMOVED SINE SUPPRESSOR	MEM/JS
G	EC 14/17/10	REMOVED SINE SUPPRESSOR	LM/

REV	DATE	DESCRIPTION	APPROVED
A	EC 05/18/05	NEW DRAWING RELEASE	JS
	5/19/05		
	12/09/08		RDM



UNIT	CODE IDENT.	NOI	SIZE	DWG. NO.	REV
K2A	C7DP43L			WD-1047	G
				WD-1047	

DATE	APPROVED	DATE	APPROVED
12/13/08	BM	5/19/05	JS
12/19/08			

TOL. ON	INCHES	MM
.XX	± .02	±
.XXX	± .010	±
.ANGULAR	± 1/2°	

UNLESS OTHERWISE SPECIFIED	DRAWN	DATE
TOLERANCES NON-ACCOMMODATE	JERRY STEDNICK	5/19/05
CHECKED	SDS/DF	12/13/08
ENG.	BM	
MFG. ENG.		

ALL DIMENSIONS ARE IN INCHES.
DIMENSIONS DESIGNATED MM ARE IN MILLIMETERS.

WIRING DIAGRAM
KOOLTRONIC, INC.
ROPERVILLE, NJ VENTURA, CA USA