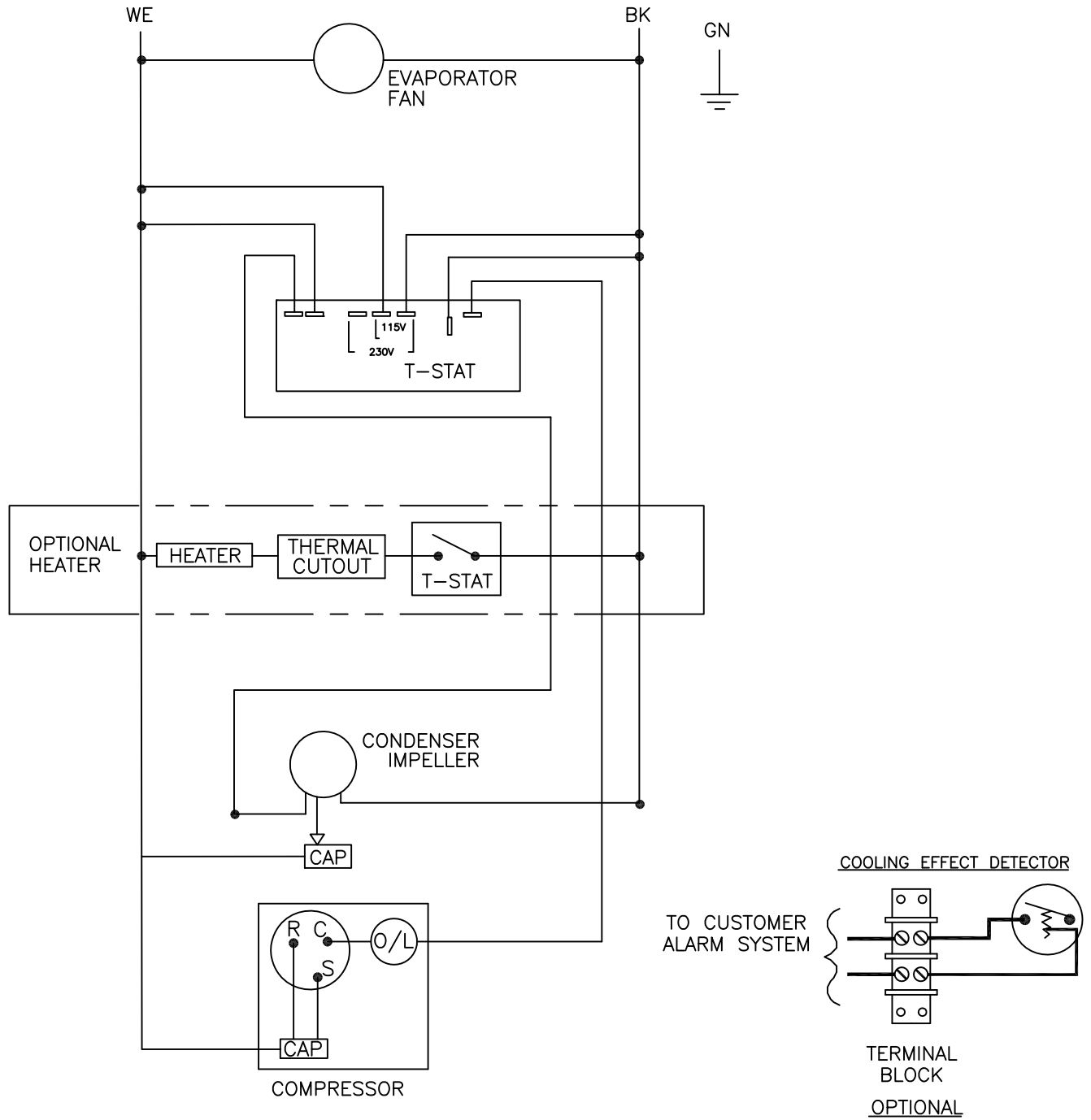


THIS DOCUMENT IS THE PROPERTY OF KOOLTRONIC, INC. AND CONTAINS PROPRIETARY AND CONFIDENTIAL INFORMATION WHICH MUST NOT BE DUPLICATED, USED OR DISCLOSED TO OTHERS, EXCEPT AS EXPRESSLY AUTHORIZED IN WRITING BY KOOLTRONIC, INC.

REVISIONS

| SYM | NOTICE    | DESCRIPTION              | DATE    | APPROVED |
|-----|-----------|--------------------------|---------|----------|
| -   | ER 05/168 | NEW DRAWING RELEASE      | 1/13/06 | JS       |
| A   | EC 14/170 | REMOVED SURGE SUPPRESSOR | 5/21/14 | LM/MEM/  |



ALL DIMENSIONS ARE IN INCHES,  
DIMENSIONS DESIGNATED MM ARE IN MILLIMETERS.

UNLESS OTHERWISE SPECIFIED  
TOLERANCES NON-ACCUMULATIVE

| TOL. ON | INCHES | MM |
|---------|--------|----|
| .XX     | ± .02  | ±  |
| .XXX    | ± .010 | ±  |
| ANGULAR | ± 1/2° |    |

|                |          |
|----------------|----------|
| DRAWN          | DATE     |
| JERRY STEDNICK | 11/14/05 |
| CHECKED        |          |
| MEM            | 1/12/06  |
| ENG.           |          |
| BORIS MUZIKANT | 11/14/05 |
| MFG. ENG.      |          |



WIRING DIAGRAM

|          |            |                 |       |           |        |
|----------|------------|-----------------|-------|-----------|--------|
| MATERIAL |            | CODE IDENT. NO. | SIZE  | DWG. NO.  | REV    |
| UNITS    | KA4C3DP21L | 06223           | A     | WD-1126   | A      |
| APPROVED | B KREELEY  | 1/23/06         | SCALE | CAD. REF. | SHEET  |
|          |            |                 | N/A   | WD-1126   | 1 OF 1 |