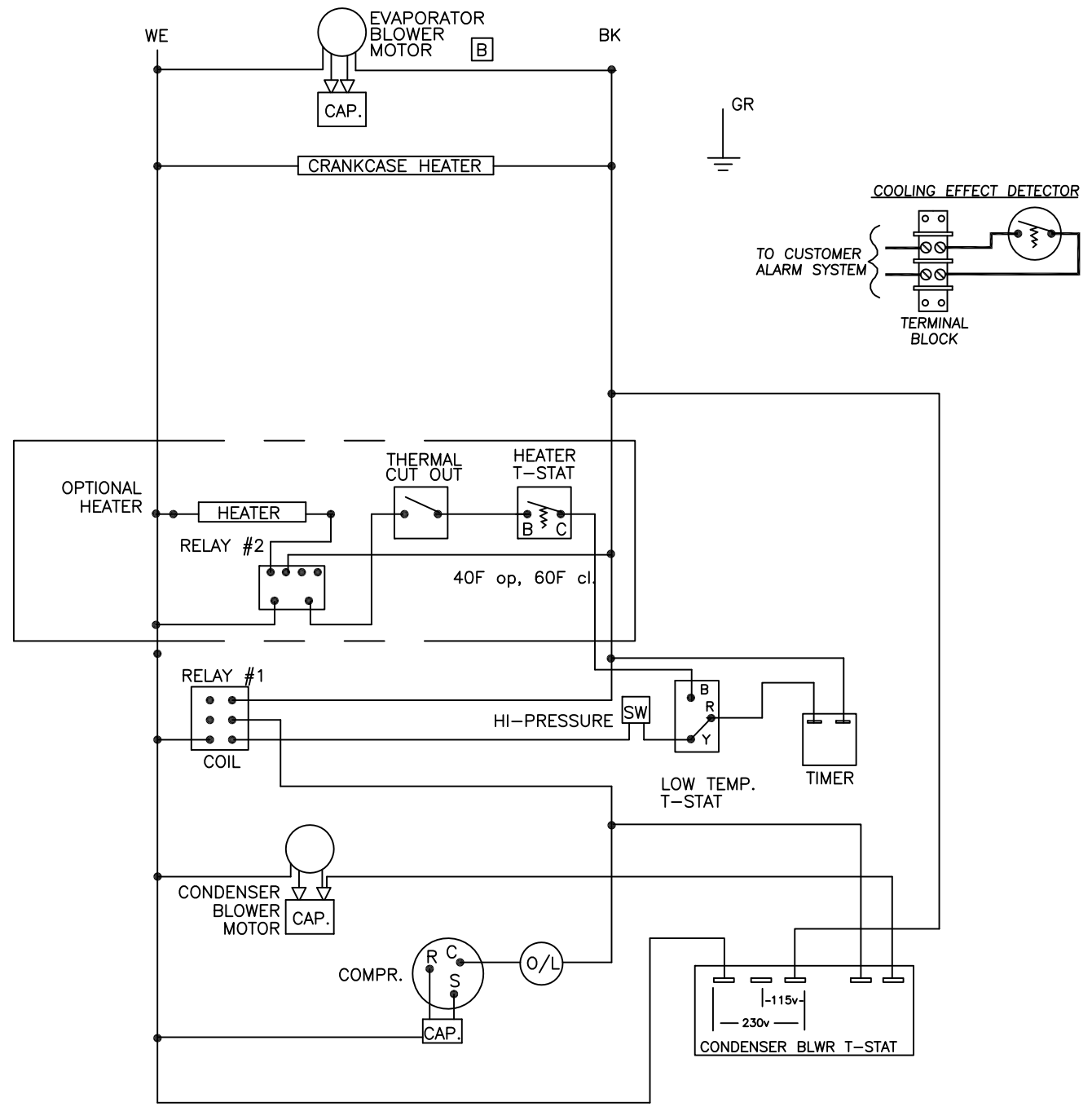



REVISIONS				
SYM	NOTICE	DESCRIPTION	DATE	APPROVED
-	ER 08/094	NEW DRAWING RELEASE	11/25/08	JS
A	EC 09/693	ADDED PRESSURE SWITCH	12/18/09	JS
B	EC 14/170	REMOVED SURGE SUPPRESSOR	6/3/14	LM/

THIS DOCUMENT IS THE PROPERTY OF KOOLTRONIC, INC. AND CONTAINS PROPRIETARY AND CONFIDENTIAL INFORMATION WHICH MUST NOT BE DUPLICATED, USED OR DISCLOSED OTHER THAN AS EXPRESSLY AUTHORIZED BY KOOLTRONIC, INC.



UNLESS OTHERWISE SPECIFIED TOLERANCES NON-ACCUMULATIVE			DRAWN JERRY STEDNICK	DATE 11/25/08
TOL. ON	INCHES	MM	CHECKED	
.XX	± .02	±	ENG.	
.XXX	± .010	±	MFG. ENG.	
ANGULAR		± 1/2°		
MATERIAL				
UNITS K2A6C30EP56_R			APPROVED	



**KOOLTRONIC, INC.**  
HOPEWELL, NJ VENTURA, CA USA

WIRING DIAGRAM

CODE IDENT. NO. 06223	SIZE A	DWG. NO. WD-1268	REV B
SCALE N/A	CAD. REF WD-1268	SHEET 1 OF 1	

ALL DIMENSIONS ARE IN INCHES,  
DIMENSIONS DESIGNATED MM ARE IN MILLIMETERS.