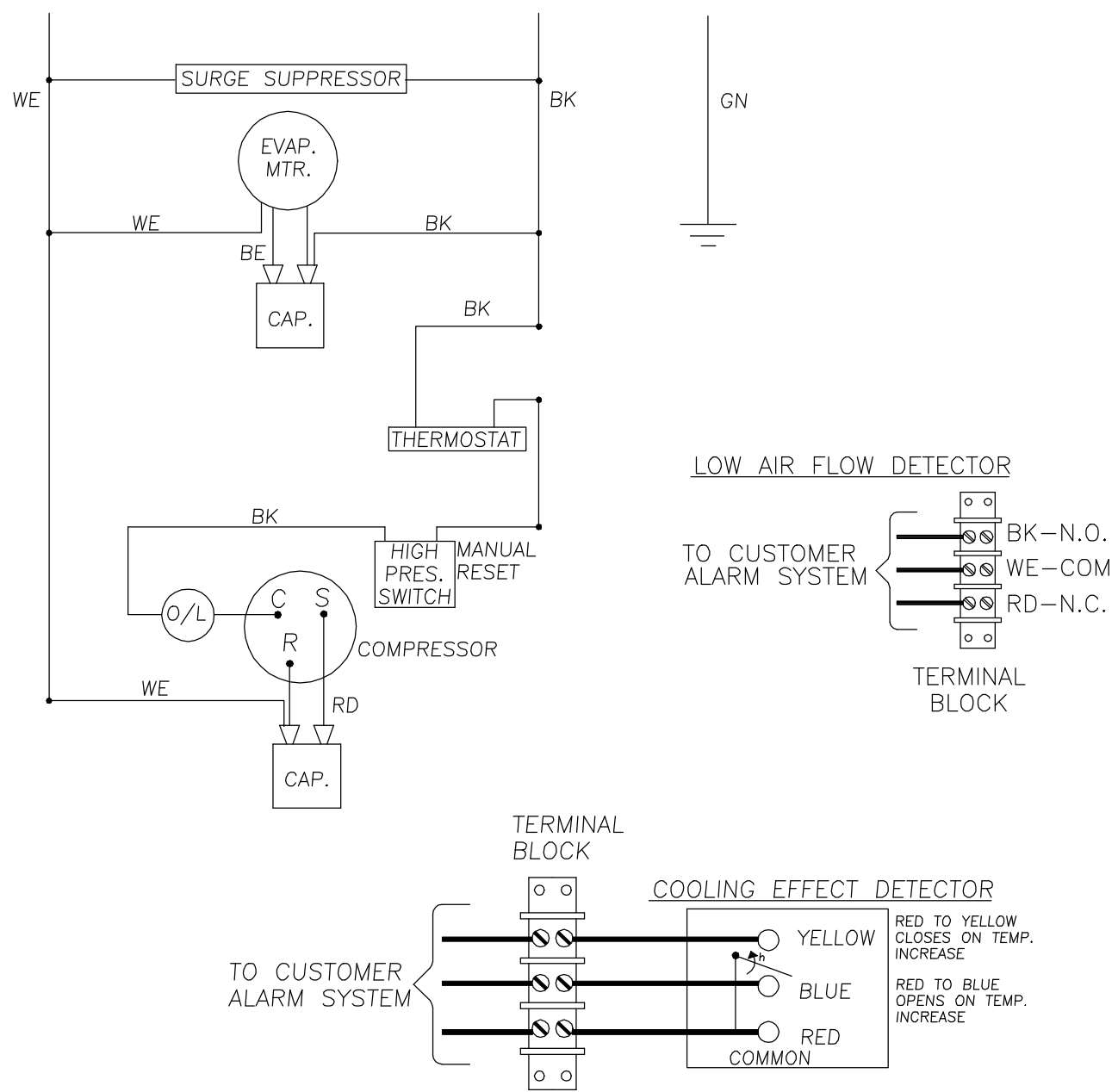



REVISIONS				
SYM	NOTICE	DESCRIPTION	DATE	APPROVED
-	EC 93/8	NEW DRAWING RELEASE	01/12/93	MJH

THIS DOCUMENT IS THE PROPERTY OF KOOLTRONIC, INC. AND CONTAINS PROPRIETARY AND CONFIDENTIAL INFORMATION WHICH MUST NOT BE DUPLICATED, USED OR DISCLOSED OTHER THAN AS EXPRESSLY AUTHORIZED BY KOOLTRONIC, INC.



ALL DIMENSIONS ARE IN INCHES, DIMENSIONS DESIGNATED MM ARE IN MILLIMETERS.			DRAWN <i>MARTIN HIRCSSHORN</i>		DATE 01/12/93
UNLESS OTHERWISE SPECIFIED TOLERANCES NON-ACCUMULATIVE			CHECKED		
TOL. ON	INCHES	MM	ENG.		
.XX	± .02	±	MFG. ENG.		
.XXX	± .010	±			
ANGULAR		± 1/2°			
MATERIAL					
UNITS KAC4WP47T-X113 KAC5WP59T-X113			APPROVED		



KOOLTRONIC, INC.
HOPEWELL, NJ VENTURA, CA USA

WIRING DIAGRAM

CODE IDENT. NO. 06223	SIZE A	DWG. NO. WD-142	REV -
SCALE 1=1	CAD. REF. WD000030	SHEET 1 OF 1	