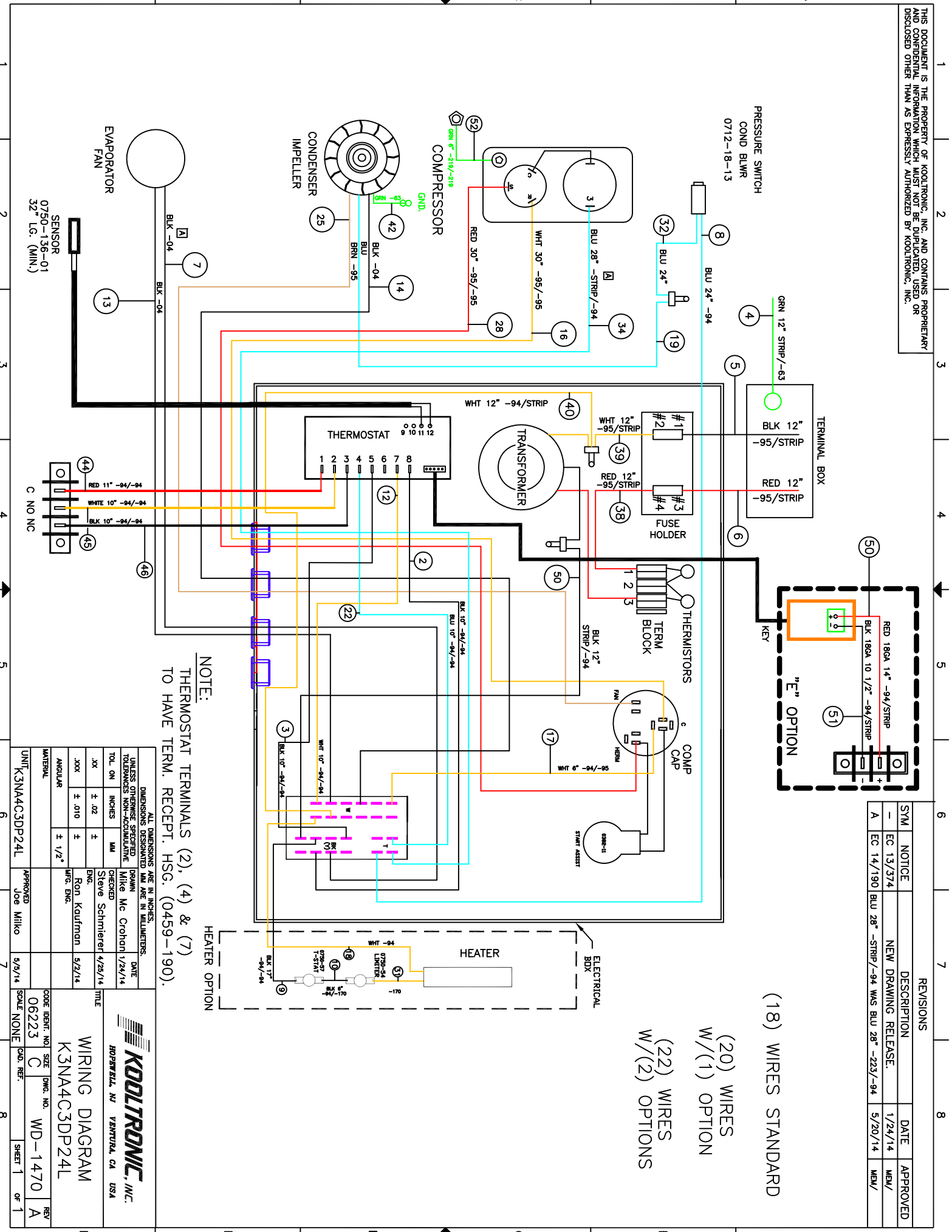
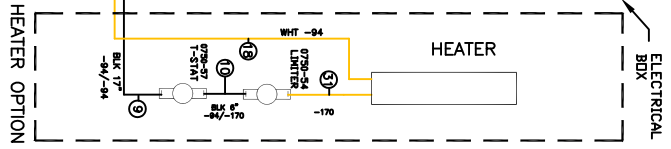


THIS DOCUMENT IS THE PROPERTY OF KOOLTRONIC, INC. AND CONTAINS PROPRIETARY AND CONFIDENTIAL INFORMATION WHICH MUST NOT BE DUPLICATED, USED OR DISCLOSED OTHER THAN AS EXPRESSLY AUTHORIZED BY KOOLTRONIC, INC.



NOTE:
THERMOSTAT TERMINALS (2), (4) & (7)
TO HAVE TERM. RECEPT. HSG. (0459-190).



(18) WIRES STANDARD
(20) WIRES
W/(1) OPTION
(22) WIRES
W/(2) OPTIONS

SYM	NOTICE	DESCRIPTION	DATE	APPROVED
-	EC 13/374	NEW DRAWING RELEASE.	1/24/14	MEM/
A	EC 14/190	BLU 28" -STRIP/-94 WAS BLU 28" -223/-94	5/20/14	MEM/

DIMENSIONS DESIGNATED MM ARE IN MILLIMETERS.		DATE	
UNLESS OTHERWISE SPECIFIED		DRAWN	
TOLERANCES NON-ACCUMULATIVE		CHECKED	
TOL. ON	INCHES	MM	MM
XX	± .02	±	±
XXX	± .010	±	±
ANGULAR	± 1/2°		

APPROVED: Joe Milko
 DATE: 5/9/14
 SCALE: NONE
 SHEET: 1 OF 1

KOOLTRONIC, INC.
 HOPWELL, NJ VENTURA, CA USA
 WIRING DIAGRAM
 K3NA4C3DP24L
 CODE IDENT. NO. 06223
 SIZE C
 DWG. NO. WD-1470
 REV A