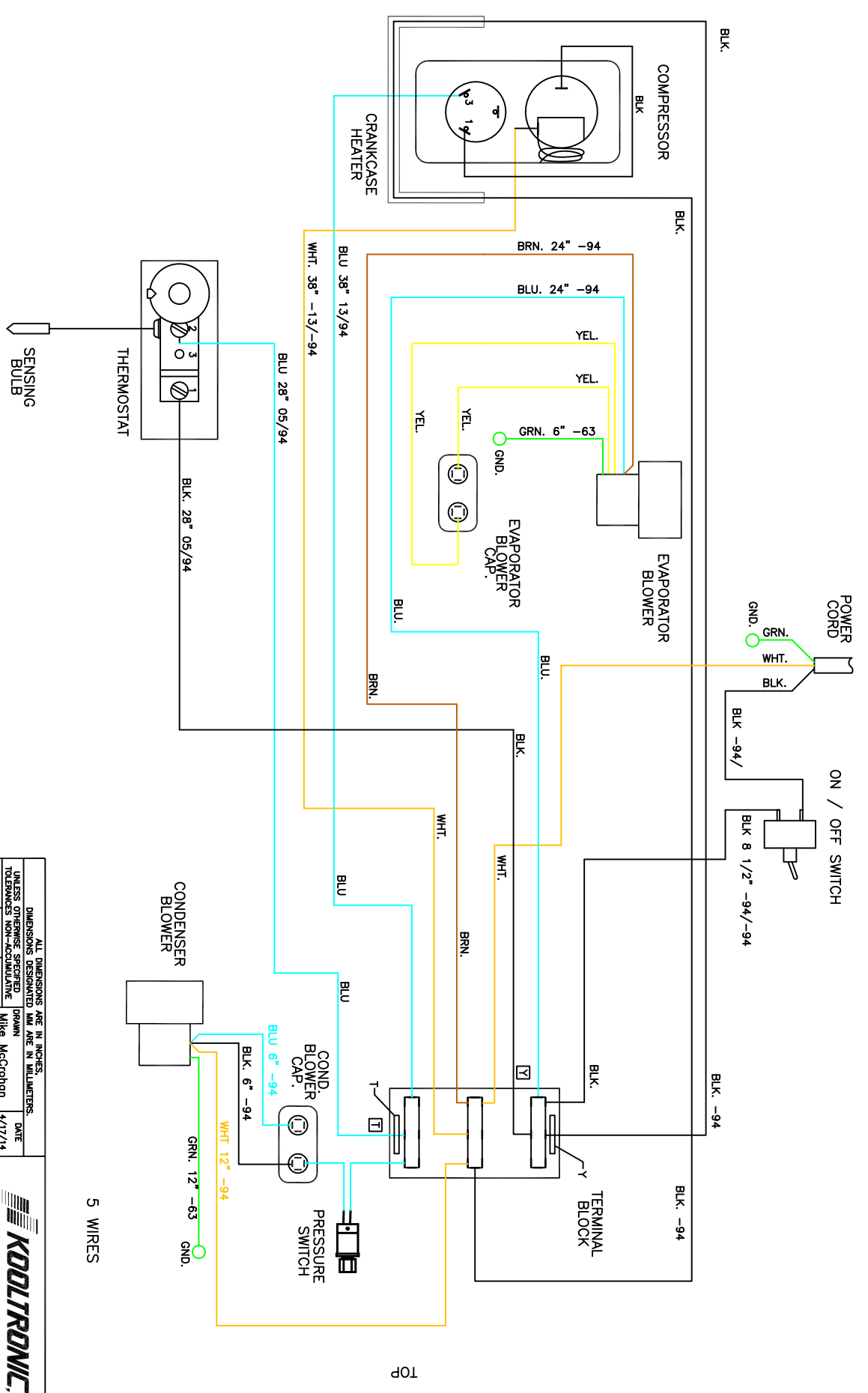


THIS DOCUMENT IS THE PROPERTY OF KOOLTRONIC, INC. AND CONTAINS PROPRIETARY AND CONFIDENTIAL INFORMATION WHICH MUST NOT BE DUPLICATED, USED OR DISCLOSED OTHER THAN AS EXPRESSLY AUTHORIZED BY KOOLTRONIC, INC.

REVISIONS		DATE	APPROVED
SWM	NOTICE		
-	ER 14/019	4/17/14	MEM/
A	EC 14/170	5/22/14	LM/



5 WIRES

DIMENSIONS DESIGNATED MM ARE IN MILLIMETERS.		DATE	
TOL. ON	INCHES	MM	DATE
XX	± .02	±	4/17/14
XXX	± .010	±	4/21/14
ANGULAR	± 1/2°		

UNITS	APPROVED	SCALE	REV
K2MA4CP32L5	Joe M/Bruce K	NONE	A

CODE IDENT. NO.	SIZE	DWG. NO.	REV
06223	C	WD-1477	A

ALL DIMENSIONS ARE IN INCHES.
UNLESS OTHERWISE SPECIFIED
TOLERANCES NON-ACCUMULATIVE

HOOPER, INC.
ROPER, NJ VENTURA, CA USA

WIRING DIAGRAM
AIR CONDITIONER

ENGINEER: Steve Schmitter
CHECKED: Mike McCrohan
DATE: 4/17/14

ENGINEER: Jim Disler
CHECKED: MFG. ENG.
DATE: 4/21/14

APPROVED: Joe M/Bruce K
DATE: 4/22/14

SCALE: NONE

SHEET 1 OF 1

REV A