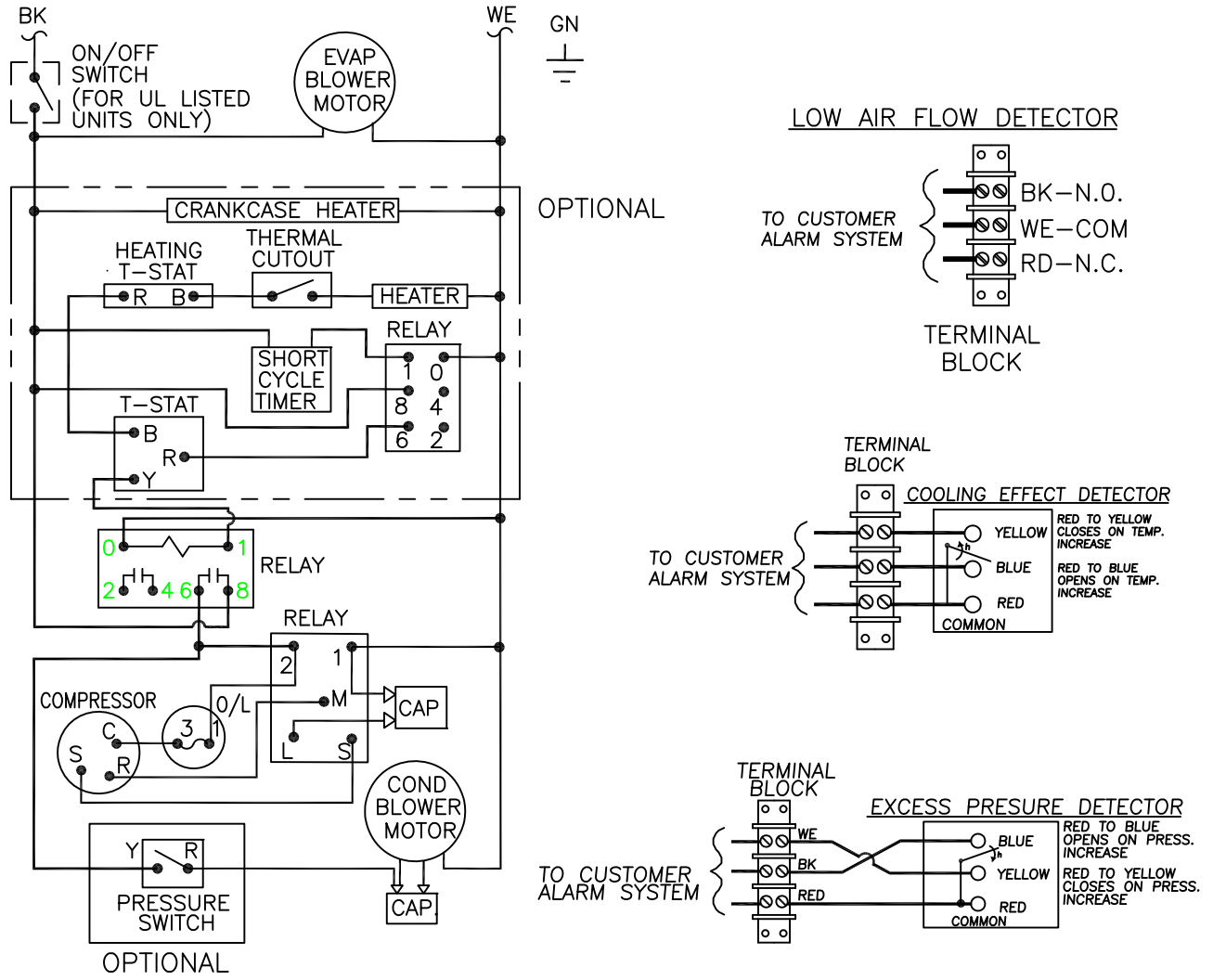


THIS DOCUMENT IS THE PROPERTY OF KOOLTRONIC, INC. AND CONTAINS PROPRIETARY AND CONFIDENTIAL INFORMATION WHICH MUST NOT BE DUPLICATED, USED OR DISCLOSED OTHER THAN AS EXPRESSLY AUTHORIZED BY KOOLTRONIC, INC.

REVISIONS				
SYM	NOTICE	DESCRIPTION	DATE	APPROVED
-	ER 94/342	NEW DRAWING RELEASE	1/25/95	MJH
A	EC 95/155	ADDED OPTIONAL RELAY.	6/28/95	D W
B	ER 95/287	ADDED HEATER, T-STAT, & THERM. C/O TO OPTIONS	12/27/95	TLR
C	ER 96/29	ADDED ON/OFF SWITCH DETAIL	2/8/96	TLR
D	EC 96/53	MOVED SHORT CYCLE TIMER	3/4/96	TLR
E	EC 99/8	PICTORALLY CHANGED RELAY TO OMRON RELAY SCHEMATIC FOR CORRECT REPRESENTATION	1/13/99	RL
F	EC 14/170	REMOVED SURGE SUPPRESSOR	9/30/14	LM/



ALL DIMENSIONS ARE IN INCHES,
DIMENSIONS DESIGNATED MM ARE IN MILLIMETERS.

UNLESS OTHERWISE SPECIFIED TOLERANCES NON-ACCUMULATIVE		
TOL. ON	INCHES	MM
.XX	± .02	±
.XXX	± .010	±
ANGULAR	± 1/2°	
MATERIAL		
UNITS KA4C5-7P28, KA4C5-7P36, K2A4C5-7P28, K2A4C5-7P36, KA4C6.0H5		

DRAWN	DATE
MARTIN HIRSCHHORN	09/26/94
CHECKED	
M.E.M.	1/31/95
ENG.	
S.R.	2/1/95
MFG. ENG.	
APPROVED	


KOOLTRONIC, INC.
 HOPEWELL, NJ VENTURA, CA USA

WIRING DIAGRAM			
CODE IDENT. NO.	SIZE	DWG. NO.	REV
06223	A	WD-208	F
SCALE 1=1	CAD. REF.	WD-208	SHEET 1 OF 1