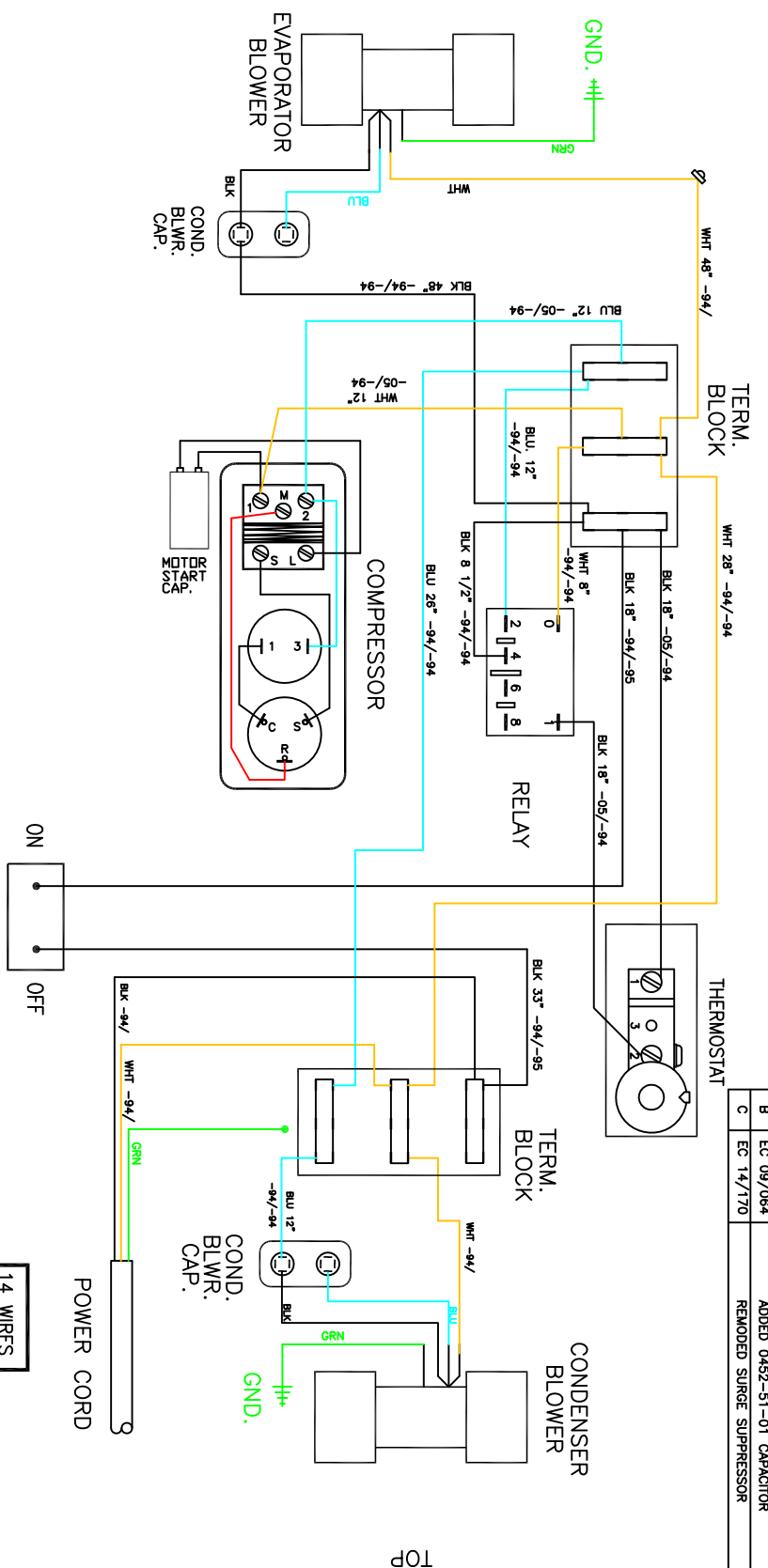


THIS DOCUMENT IS THE PROPERTY OF KOOLTRONIC, INC. AND CONTAINS PROPRIETARY AND CONFIDENTIAL INFORMATION WHICH MUST NOT BE DUPLICATED, USED OR DISCLOSED TO OTHERS, EXCEPT AS EXPRESSLY AUTHORIZED IN WRITING BY KOOLTRONIC, INC.



REVISIONS				
SYM	NOTICE	DESCRIPTION	DATE	APPROVED
-	EC 96/98	NEW DRAWING RELEASE	10/21/96	SDS
A	EC 06/244	ADDED WIRE TERMINATIONS TO DRAWING	7/25/06	SDS
B	EC 09/064	ADDED 0452-51-01 CAPACITOR	10/9/06	EDD DW-
C	EC 14/170	REMOVED SURGE SUPPRESSOR	6/17/14	LM/

TOLERANCES UNLESS OTHERWISE SPECIFIED		DIMENSIONS DESIGNED MM ARE IN MILLIMETERS	
TOLERANCES UNLESS OTHERWISE SPECIFIED		DIMENSIONS DESIGNED INCH ARE IN INCHES	
TOL. ON	INCHES	MM	DATE
.XX	± .02	±	10/21/96
.XXX	± .010	±	7/26/06
ANGULAR	±	± 1/2°	
MATERIAL		TITLE	
K2A4C6F47L		WIRING DIAGRAM	
		AIR CONDITIONER	
DATE	APPROVED	SCALE	REV
7/26/06	B KRELEY	NONE	WD-273 C



ROPERMILL, NJ VERMONTA, CA USA

WD-273

1 2 3 4 5 6 7 8

F E D C B A