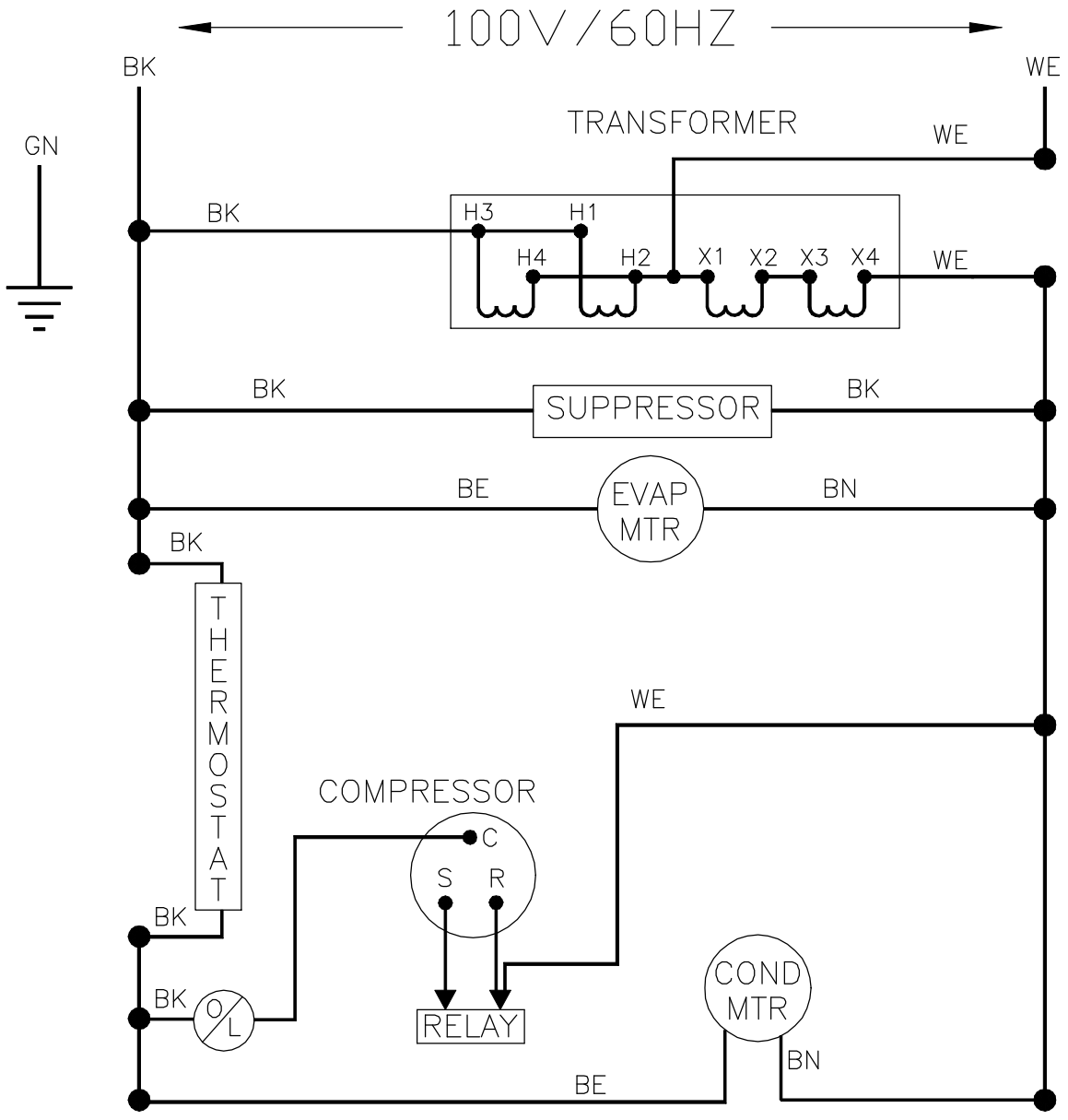


| REVISIONS | | | | |
|-----------|----------|---------------------|---------|----------|
| SYM | NOTICE | DESCRIPTION | DATE | APPROVED |
| - | ER 98/73 | NEW DRAWING RELEASE | 4/14/98 | SDS |

THIS DOCUMENT IS THE PROPERTY OF KOOLTRONIC, INC. AND CONTAINS PROPRIETARY AND CONFIDENTIAL INFORMATION WHICH MUST NOT BE DUPLICATED, USED OR DISCLOSED OTHER THAN AS EXPRESSLY AUTHORIZED BY KOOLTRONIC, INC.



ALL DIMENSIONS ARE IN INCHES,
DIMENSIONS DESIGNATED MM ARE IN MILLIMETERS.

| UNLESS OTHERWISE SPECIFIED TOLERANCES NON-ACCUMULATIVE | | | DRAWN | DATE |
|--|-------------|--------|-----------|---------|
| TOL. ON | INCHES | MM | STEVE S. | 4/14/98 |
| .XX | ± .02 | ± | CHECKED | |
| .XXX | ± .010 | ± | ENG. | |
| ANGULAR | | ± 1/2° | MFG. ENG. | |
| MATERIAL | | | | |
| UNITS | KA4C4P24L-1 | | APPROVED | |



WIRING DIAGRAM

| | | | |
|-----------------|-----------|----------|--------------|
| CODE IDENT. NO. | SIZE | DWG. NO. | REV |
| 06223 | A | WD-357 | - |
| SCALE 1=1 | CAD. REF. | WD000243 | SHEET 1 OF 1 |