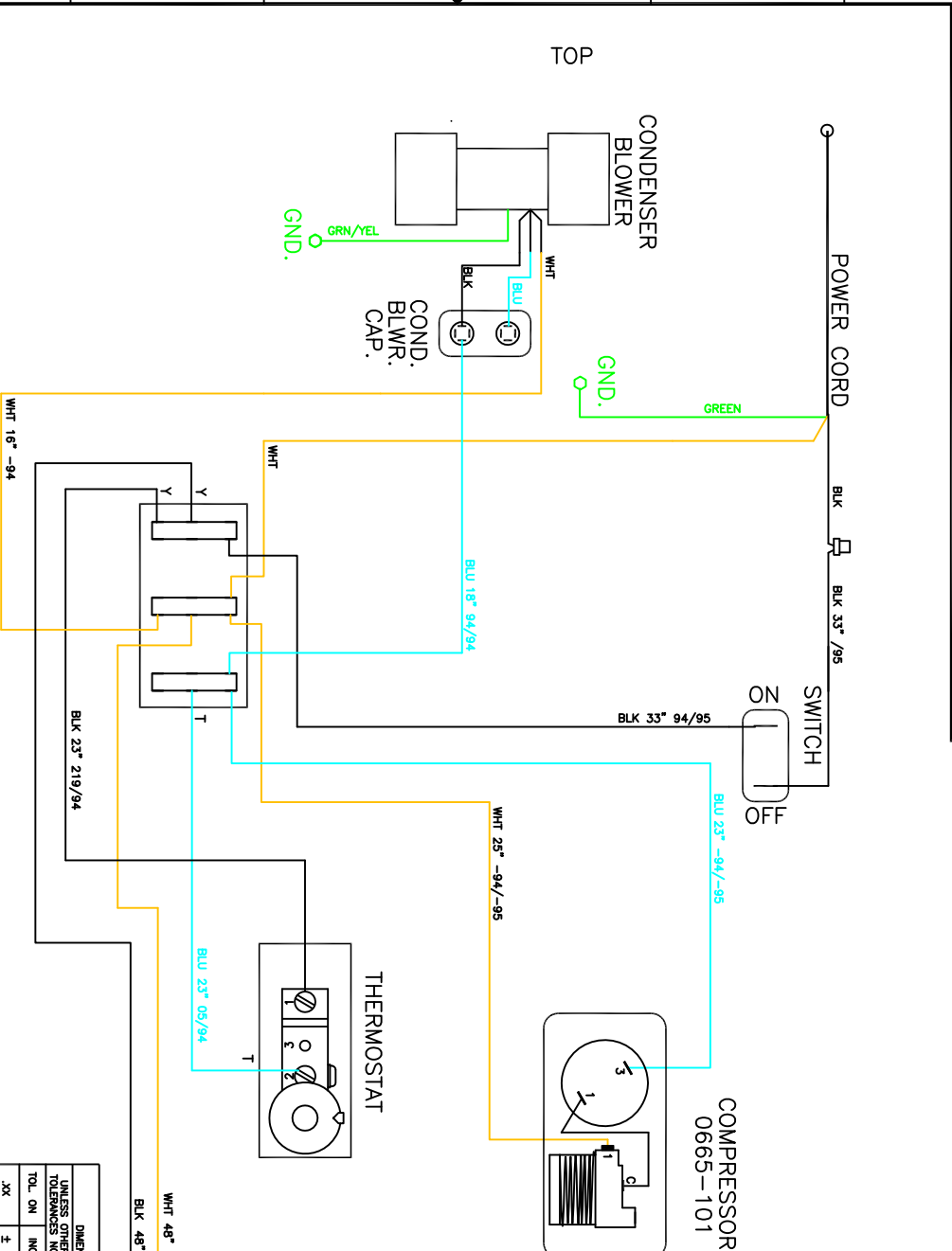


THIS DOCUMENT IS THE PROPERTY OF KOOLTRONIC, INC. AND CONTAINS PROPRIETARY AND CONFIDENTIAL INFORMATION WHICH MUST NOT BE DUPLICATED, USED OR DISCLOSED TO OTHERS, EXCEPT AS EXPRESSLY AUTHORIZED IN WRITING BY KOOLTRONIC, INC.



| SYM | NOTICE | DESCRIPTION | DATE | APPROVED |
|-----|------------|---|---------|----------|
| - | EC 98/2 | NEW DRAWING RELEASE | 7/24/98 | JS |
| A | EC 99/1 | ADDED PNL. TO UNIT CALL OUT. ADDED TERMINATION CALL OUT TO (1) 12\"/> | | |
| B | ER 99/143 | REV. BLOCK FOR NEW STYLE COMPRESSOR | 9/27/98 | SDS |
| C | EC 00/53 | CHANGED 'T' SIDE WIRES TO BLUE | 4/20/00 | RL |
| D | EC 05/424 | 25\"/> | | |
| E | ECR 06/587 | 18\"/> | | |
| F | EC 07/004 | ADDED 0459-219 TERMINAL TO 23\"/> | | |
| G | EC 14/170 | REMOVED SURGE SUPPRESSOR | 5/30/14 | LM/ |

ALL DIMENSIONS ARE IN INCHES.
DIMENSIONS DESIGNATED MM ARE IN MILLIMETERS.

| | | |
|---------------------------------------|---------------|---------|
| UNITS: DIMENSIONS SPECIFIED | DRAWN | DATE |
| TOLERANCES UNLESS OTHERWISE SPECIFIED | JERRY STEWICK | 7/24/98 |
| TOL. ON INCHES | CHECKED | |
| .XX ± .02 ± | ENG. | |
| .XXX ± .010 ± | MFG. ENG. | |
| ANGULAR ± 1/2° | | |

KOOLTRONIC, INC.
ROPER BLA, NJ VERBODIA, CA USA

WIRING DIAGRAM
AIR CONDITIONER

| | | | |
|-----------------|------|----------|------|
| CODE IDENT. NO. | SIZE | DWG. NO. | REV. |
| 06223 | B | WD-399 | G |

SCALE 1/4=1
C.D. REF. W0000282 SHEET 1 OF 1