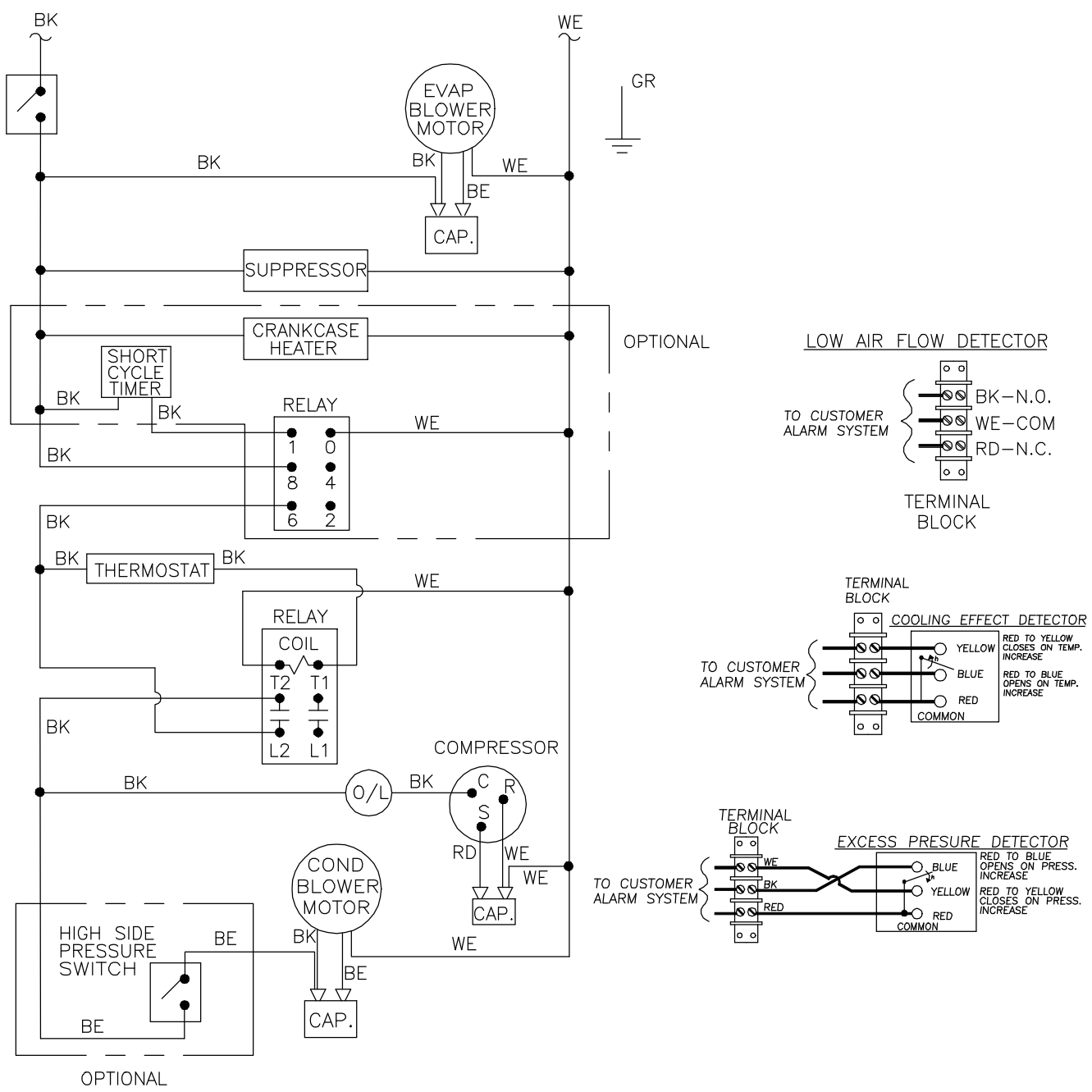


REVISIONS				
SYM	NOTICE	DESCRIPTION	DATE	APPROVED
-	EC 98/270	NEW DRAWING RELEASE	12/17/98	RL

THIS DOCUMENT IS THE PROPERTY OF KOOLTRONIC, INC. AND CONTAINS PROPRIETARY AND CONFIDENTIAL INFORMATION WHICH MUST NOT BE DUPLICATED, USED OR DISCLOSED OTHER THAN AS EXPRESSLY AUTHORIZED BY KOOLTRONIC, INC.



ALL DIMENSIONS ARE IN INCHES, DIMENSIONS DESIGNATED MM ARE IN MILLIMETERS.				
UNLESS OTHERWISE SPECIFIED TOLERANCES NON-ACCUMULATIVE			DRAWN R. LIEDTKA	DATE 12/17/98
TOL. ON	INCHES	MM	CHECKED	
.XX	± .02	±	ENG.	
.XXX	± .010	±	MFG. ENG.	
ANGULAR		± 1/2°		
MATERIAL				
UNITS K2A3C14-16HTL			APPROVED	



**KOOLTRONIC, INC.**  
HOPEWELL, NJ VENTURA, CA USA

## WIRING DIAGRAM

CODE IDENT. NO. 06223	SIZE A	DWG. NO. WD-447	REV -
SCALE N/A	CAD. REF. WD000332	SHEET 1 OF 1	