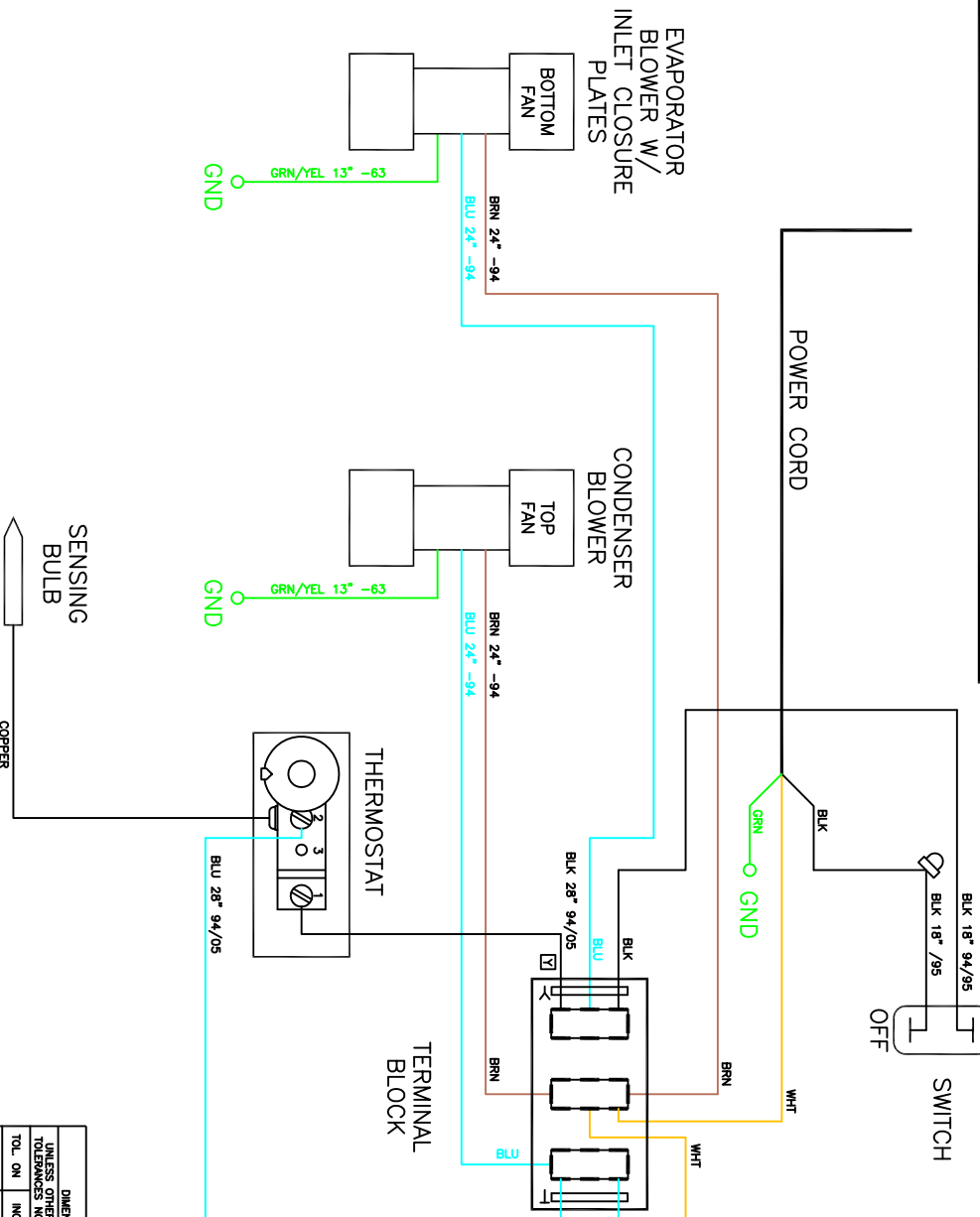


THIS DOCUMENT IS THE PROPERTY OF KOOLTRONIC, INC. AND CONTAINS PROPRIETARY AND CONFIDENTIAL INFORMATION WHICH MUST NOT BE DUPLICATED, USED OR DISCLOSED TO OTHERS, EXCEPT AS EXPRESSLY AUTHORIZED IN WRITING BY KOOLTRONIC, INC.



SYM	NOTICE	DESCRIPTION	DATE	APPROVED
-	EC 99/1	NEW DRAWING RELEASE	6/2/99	MRM
A	EC 06/088	CHANGED TERMINALS ON COMPRESSOR WIRES FROM -05 TO -13 UPDATED COMPRESSOR PICTORIAL	3/17/06	JS
B	EC 14/170	REMOVED SURGE SUPPRESSOR	6/17/14	LM/

DIMENSIONS DESIGNED		DATE	
TOL. ON	INCHES	MM	DATE
.XX	± .02	±	6/2/99
.XXX	± .010	±	
ANGULAR	±	±	
		± 1/2°	

DIMENSIONS DESIGNED		DATE	
TOL. ON	INCHES	MM	DATE
.XX	± .02	±	6/2/99
.XXX	± .010	±	
ANGULAR	±	±	
		± 1/2°	

**KOOLTRONIC, INC.**  
 4097 WILSON AVENUE  
 SAN JOSE, CA 95128  
 (408) 261-1111

WIRING DIAGRAM  
 AIR CONDITIONER

DATE	4/12/08	SCALE	1/4"=1"
APPROVED	B. KRELELEY	CODE	06223
CHECKED	S. SCHMIERER	SIZE	B
ENG.		DWG. NO.	WD-508
MFG. ENG.		SHEET	1 OF 1
MATERIAL		REV	B
UNIT	K2AAC1-4HTL		