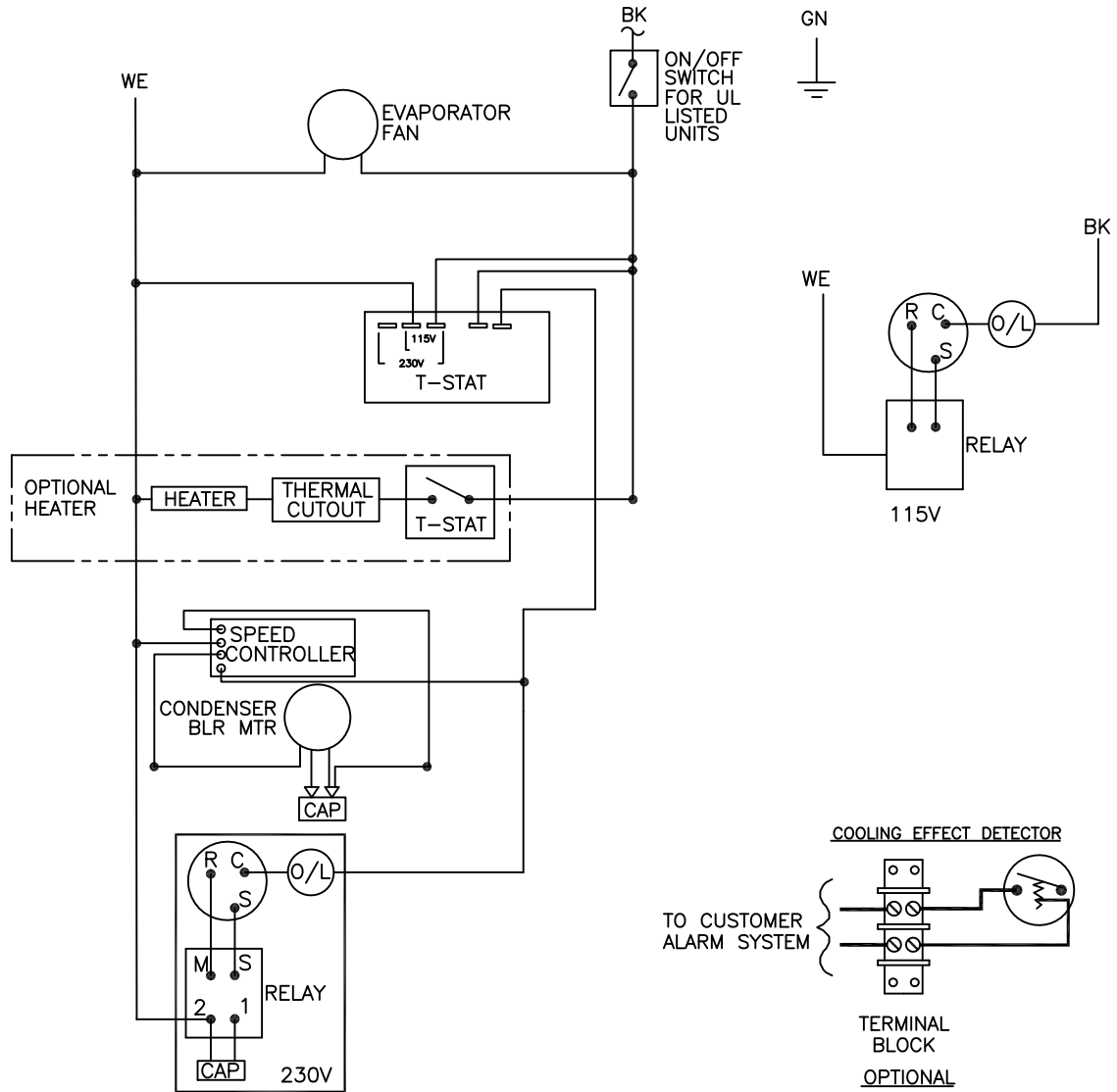


THIS DOCUMENT IS THE PROPERTY OF KOOLTRONIC, INC. AND CONTAINS PROPRIETARY AND CONFIDENTIAL INFORMATION WHICH MUST NOT BE DUPLICATED, USED OR DISCLOSED TO OTHERS, EXCEPT AS EXPRESSLY AUTHORIZED IN WRITING BY KOOLTRONIC, INC.

REVISIONS

SYM	NOTICE	DESCRIPTION	DATE	APPROVED
-	ER 03/137	NEW DRAWING RELEASE	10/20/03	JS
A	EC 05/211	REMOVED SHORT CYCLE TIMER.	5/10/05	DW-
B	ER 07/071	ADDED SWITCH AND NOTE	8/17/07	JS/MEM
C	EC 14/170	REMOVED SURGE SUPPRESSOR	6/3/14	LM/



ALL DIMENSIONS ARE IN INCHES,  
DIMENSIONS DESIGNATED MM ARE IN MILLIMETERS.

UNLESS OTHERWISE SPECIFIED  
TOLERANCES NON-ACCUMULATIVE

TOL. ON	INCHES	MM
.XX	± .02	±
.XXX	± .010	±
ANGULAR		± 1/2°

DRAWN	DATE
JERRY STEDNICK	10/20/03
CHECKED	
ENG. BM	10/20/03
MFG. ENG.	



WIRING DIAGRAM

MATERIAL	APPROVED	DATE
	BKK	10/20/03

CODE IDENT. NO.	SIZE	DWG. NO.	REV
06223	A	WD-879	C
SCALE N/A	CAD. REF. WD-879	SHEET 1 OF 1	