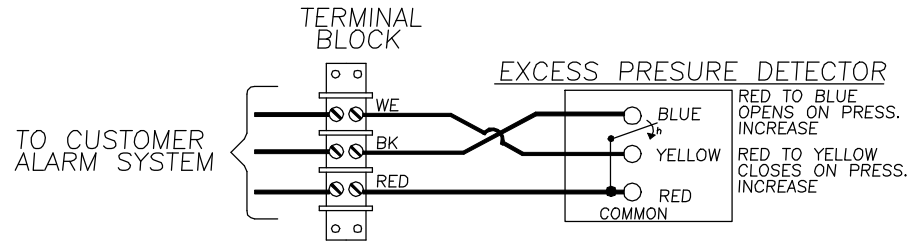
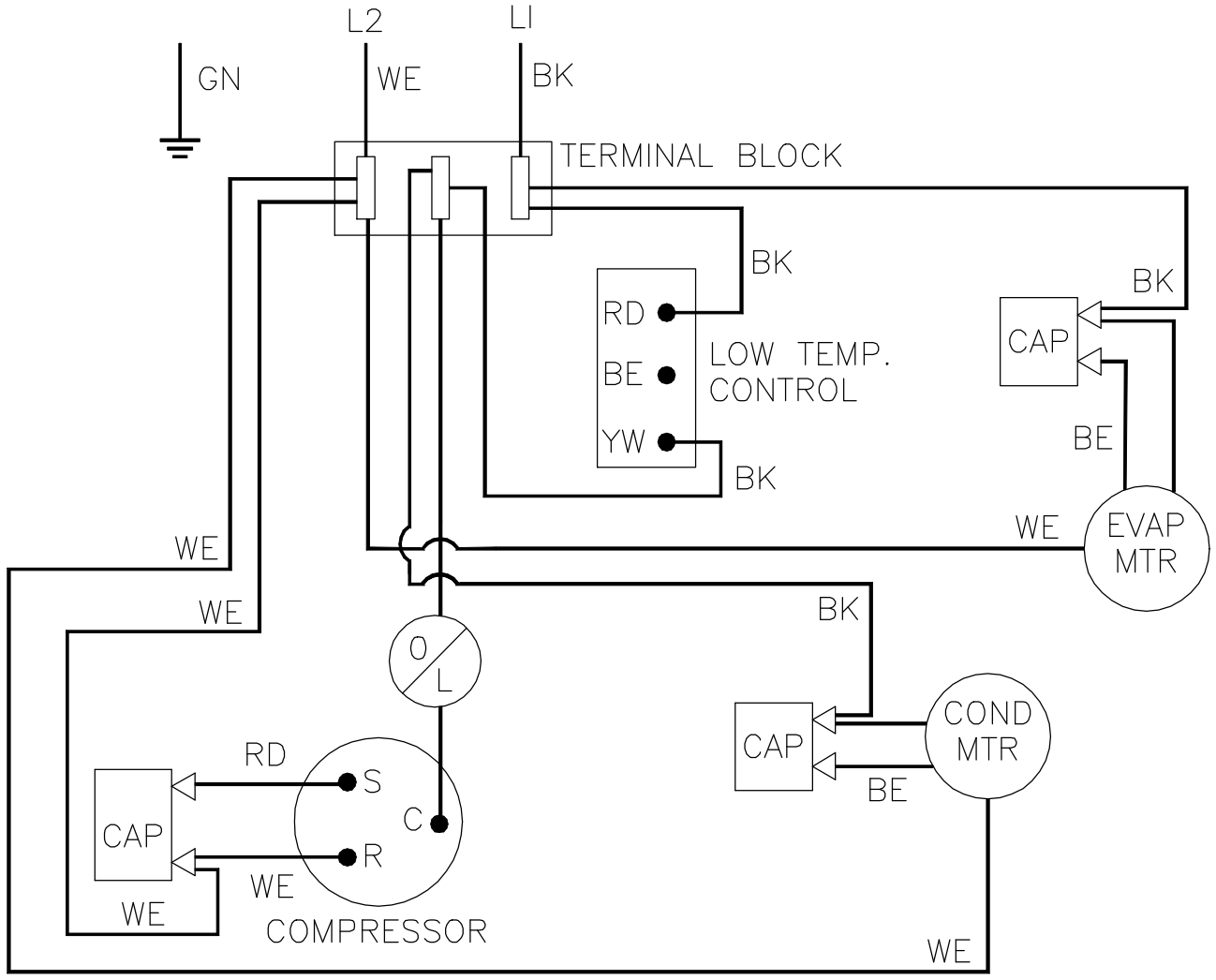


REVISIONS				
SYM	NOTICE	DESCRIPTION	DATE	APPROVED
A	EC 92/231	REVISED AND REDRAWN	09/08/92	MJH

THIS DOCUMENT IS THE PROPERTY OF KOOLTRONIC, INC. AND CONTAINS PROPRIETARY AND CONFIDENTIAL INFORMATION WHICH MUST NOT BE DUPLICATED, USED OR DISCLOSED OTHER THAN AS EXPRESSLY AUTHORIZED BY KOOLTRONIC, INC.



ALL DIMENSIONS ARE IN INCHES, DIMENSIONS DESIGNATED MM ARE IN MILLIMETERS.

UNLESS OTHERWISE SPECIFIED TOLERANCES NON-ACCUMULATIVE			DRAWN <i>MARTIN HIRCSSHORN</i>	DATE 09/08/92
TOL. ON	INCHES	MM	CHECKED	
.XX	± .02	±	ENG.	
.XXX	± .010	±	MFG. ENG.	
ANGULAR		± 1/2°		
MATERIAL				
UNITS KAC8P52T-1			APPROVED	



WIRING DIAGRAM

CODE IDENT. NO. 06223	SIZE A	DWG. NO. WD-97	REV A
SCALE 1=1	CAD. REF. DR000074	SHEET 1 OF 1	