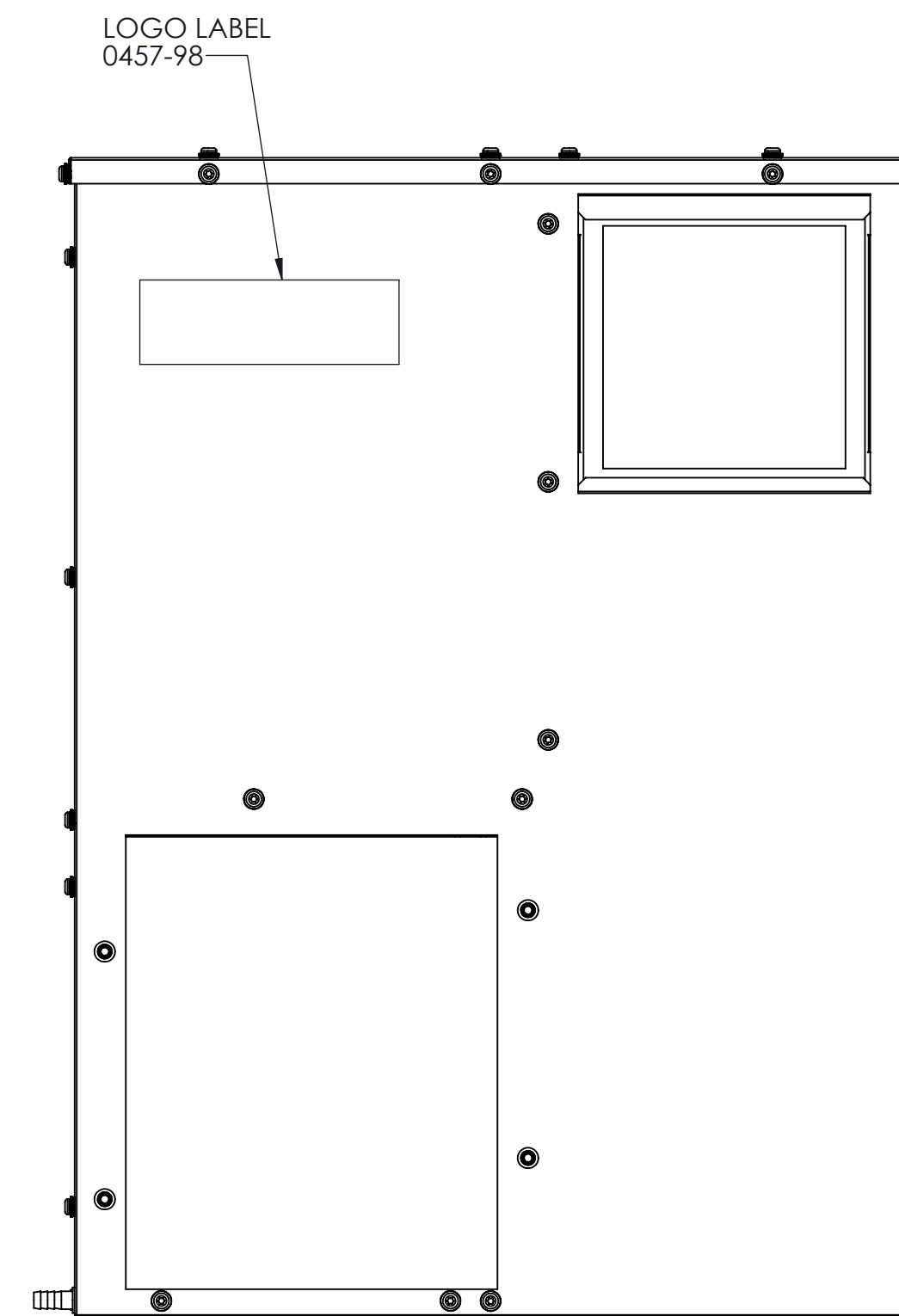
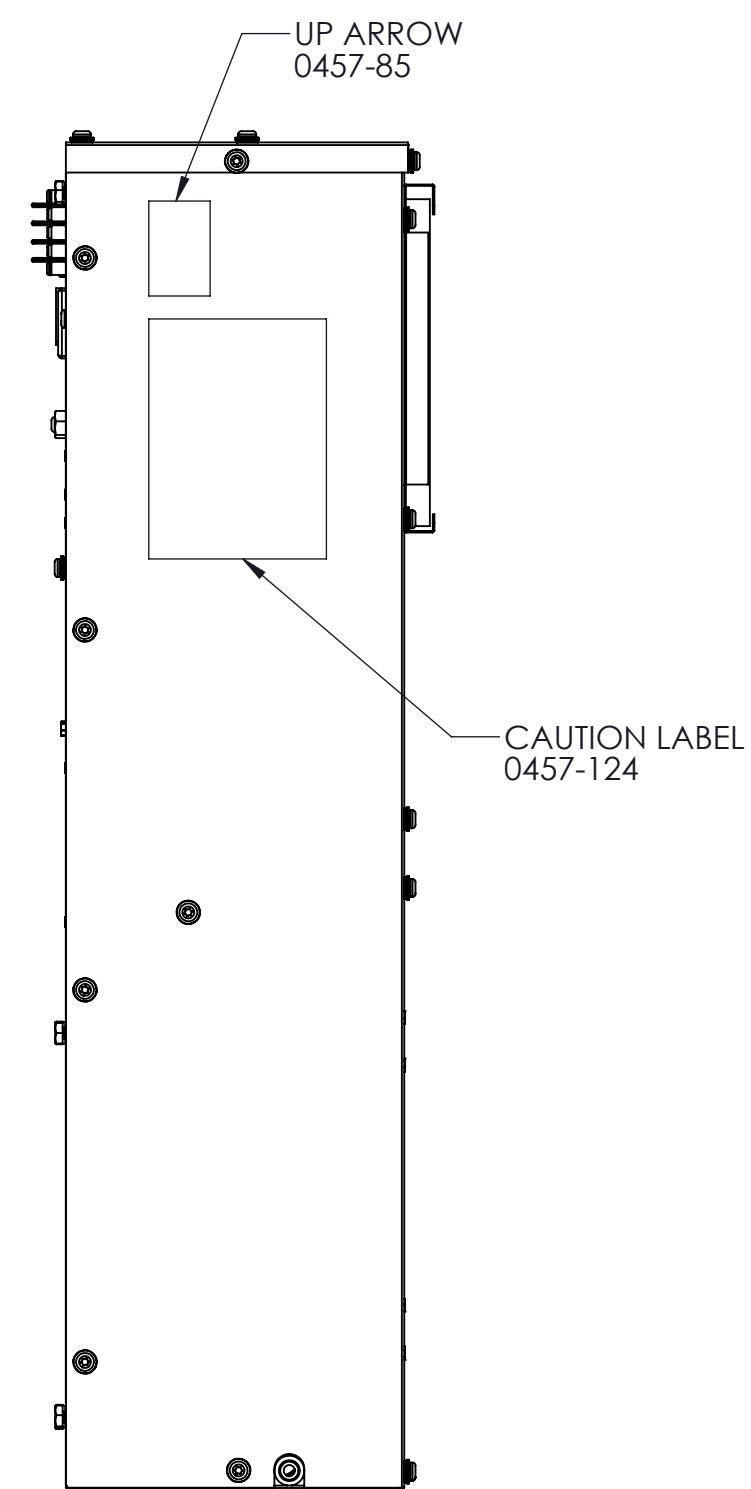
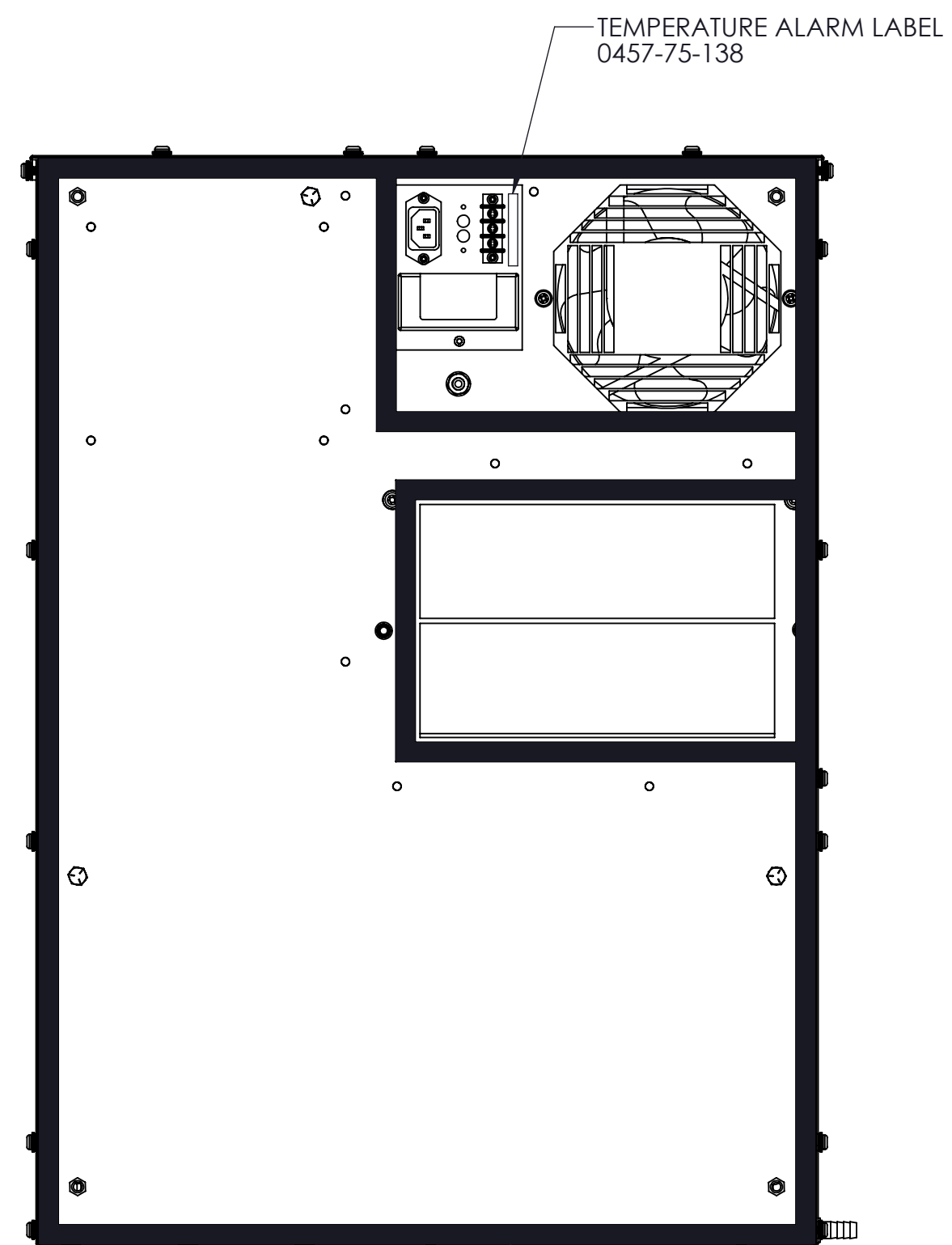
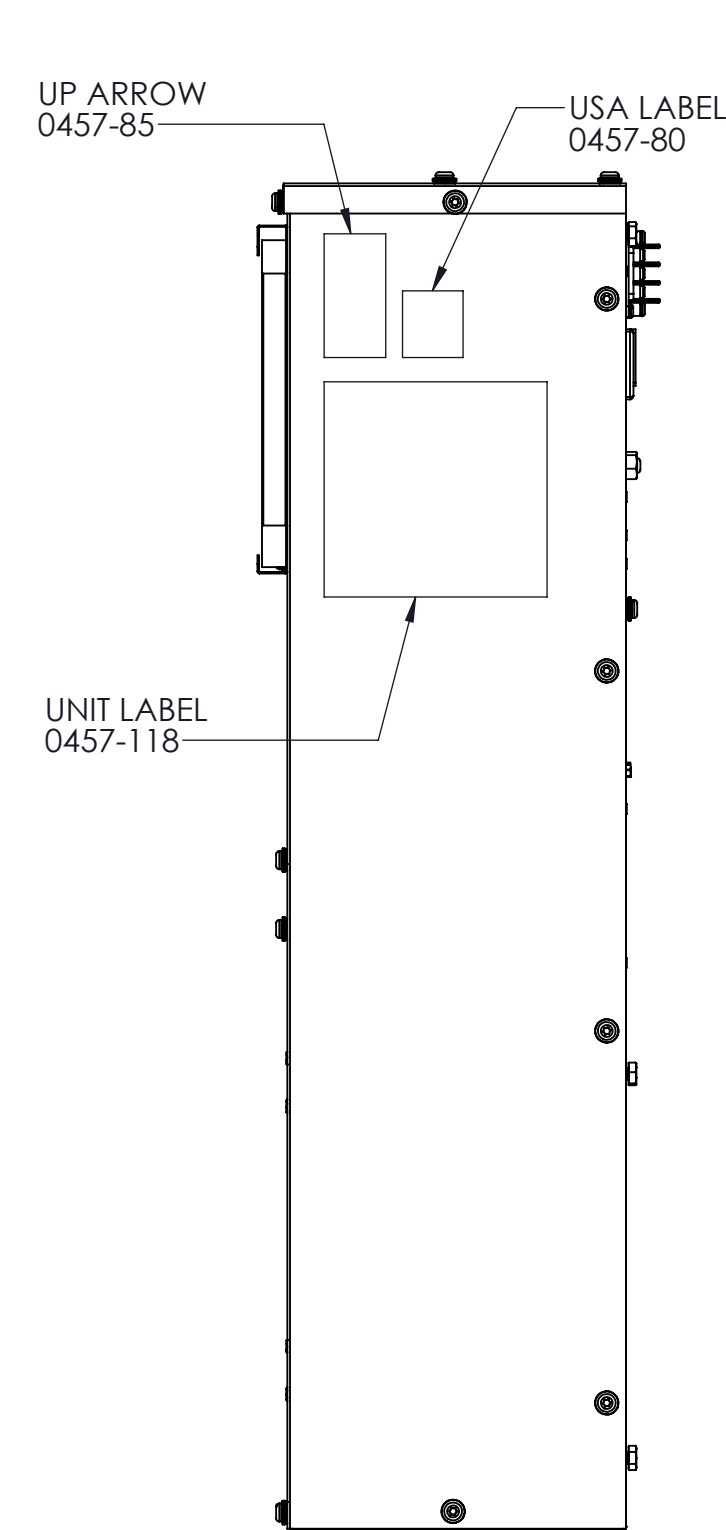
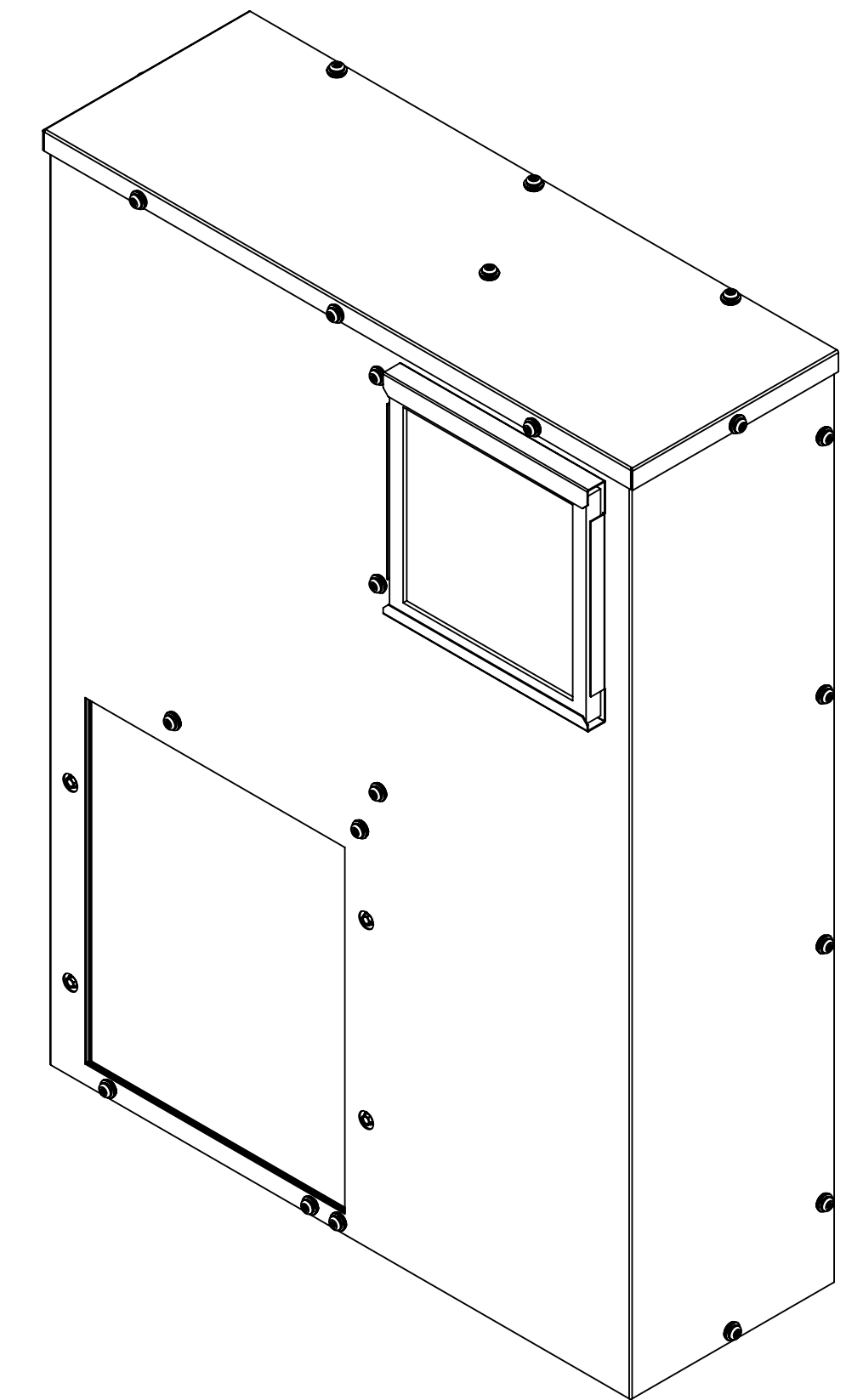
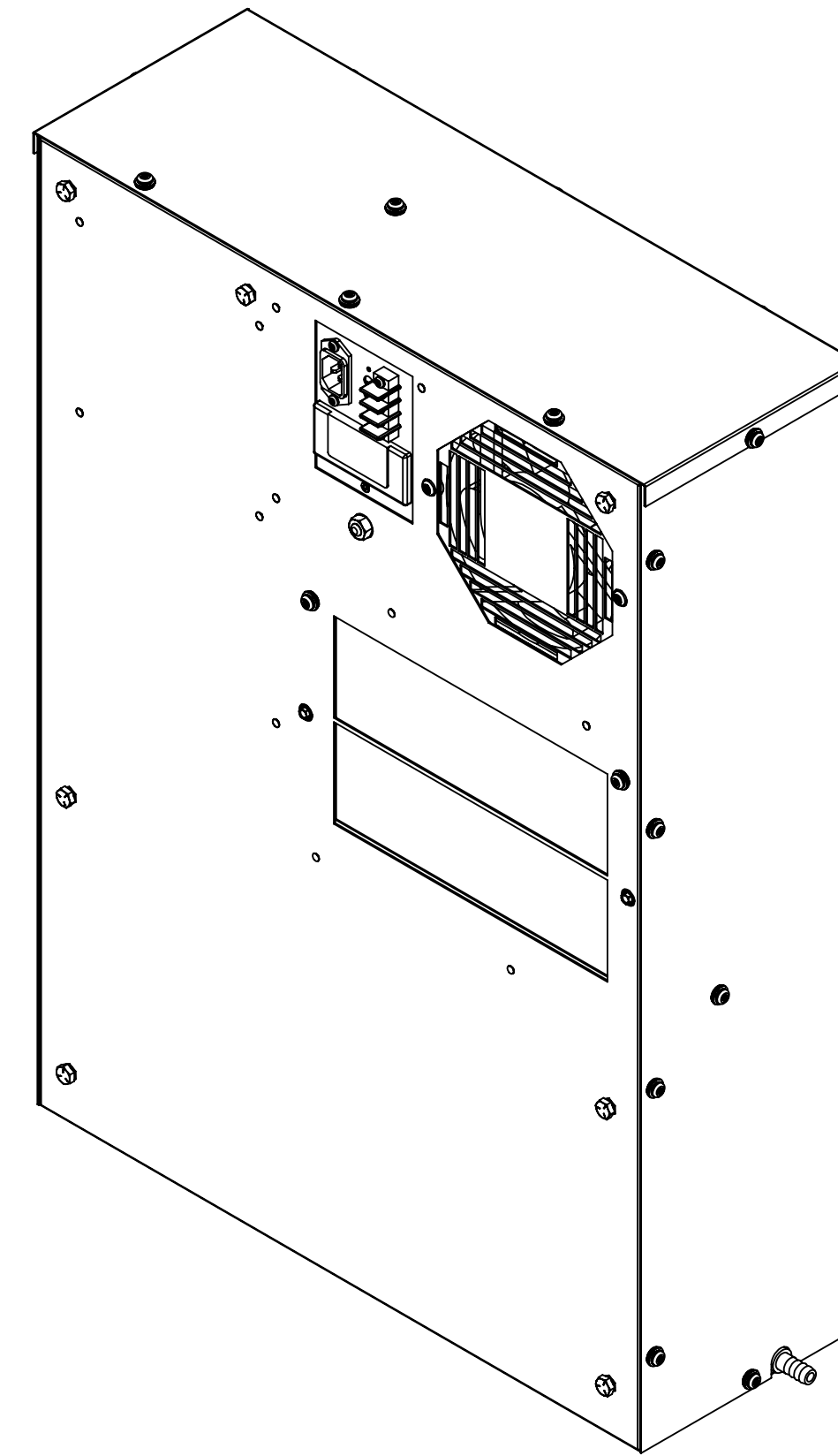
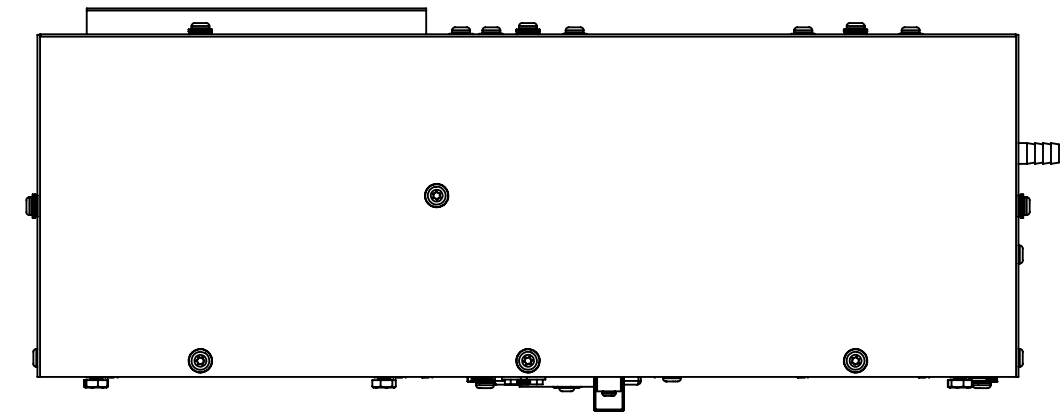



THIS DOCUMENT IS THE PROPERTY OF KOOLTRONIC, INC. AND CONTAINS PROPRIETARY AND CONFIDENTIAL INFORMATION WHICH MUST NOT BE DUPLICATED, USED OR DISCLOSED TO OTHERS, EXCEPT AS EXPRESSLY AUTHORIZED IN WRITING BY KOOLTRONIC, INC.

REVISIONS				
SYM	NOTICE	DESCRIPTION	DATE	APPROVED
-	ER 23/028	NEW DRAWING RELEASE	11/3/23	SS
A	EC 24/119	PICTORIALLY UPDATED	6/19/24	BR / VB



- SHIP LOOSE WITH UNIT:
- (0448-55) POWER CORD 6' IEC FOR 115VAC QTY 1
 - (0448-57) POWER CORD 6' IEC FOR 230VAC QTY 1
 - (0625-38-500) TUBING PVC 3/8" ID 1/2" OD QTY 1

P/N: GA201928-1B

ALL DIMENSIONS ARE IN INCHES. DIMENSIONS DESIGNATED MM ARE IN MILLIMETERS. UNLESS OTHERWISE SPECIFIED TOLERANCES NON-ACCUMULATIVE		DRAWN S.SABETI 11/3/23	DATE 11/3/23	 PENNINGTON, NJ USA	
TOL. ON .XX ± .02 .XXX ± .010 ANGULAR ± 1/2°	INCHES MM	CHECKED S.SABETI MFG. ENG.	DATE 11/3/23		TITLE BUTTON UP K_A4C3DSP28L
MATERIAL UNIT K_A4C3DSP28L	APPROVED	CODE IDENT. NO. 06223	SIZE D	DWG. NO. GA201928-1B	REV A
		SCALE 1/4"=1"	CAD. REF.	SHEET 1 OF 1	